

SHIFT

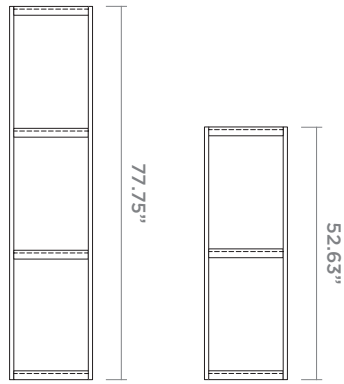
Privacy meets storage

LOFTWALL



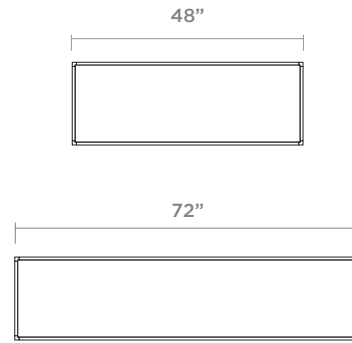
Shelving doesn't have to be so stale. Add flair to your environment with a thoughtful solution that divides space, offers storage, and looks good doing it.

CHOOSE YOUR HEIGHT



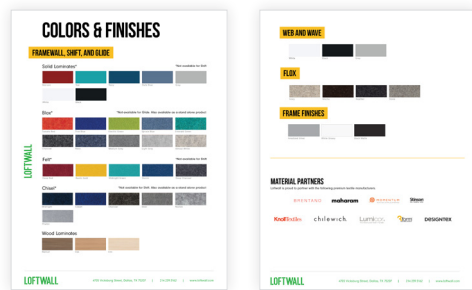
PROFILE VIEW

CHOOSE YOUR WIDTH



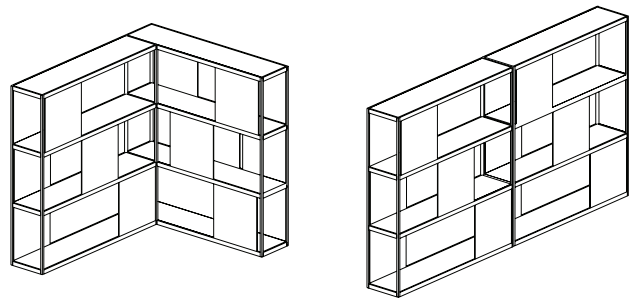
TOP VIEW

CHOOSE YOUR PANELS



Time to get creative! Mix and match from our huge selection of panel styles and finishes. See our finishes cutsheet for all the options.

CHOOSE YOUR LAYOUT



While single Shifts can be ordered, multiple Shifts can be linked together to further create space! Whether you're interested in 90° links or 180° links, Shift is up for the challenge.



THE OTHER STUFF

Dimensions

- Height: 77.75" or 52.63"
- Width: 48" or 72"
- Depth: 17.25"

Design Features

- Four standard sizes: low height with 4' shelves, low height with 6' shelves, full height with 4' shelves, and full height with 6' shelves
- Customizable with all Framewall panels and finishes
 - *See finishes page
- Acoustic panel options available
- Ability to link multiple units together
- Modular panels can be rearranged with minor effort
- Frame colors: Anodized silver, white, black and custom frame colors available

Environmental Features

- Frame made from up to 75% recycled content
- Frame and panels can be recycled





WHO SAYS **STORAGE** HAS TO BE **STALE?**

Creativity is key in an environment where so much is asked but so little is provided. That's why we developed Shift – a product that allows users to get more out of less by combining two office essentials, storage and division. Shift adds much to an environment while only taking up a small footprint.