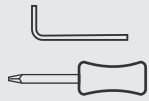


# LOFTWALL

# COUNTER SHIELD - CLASSIC

## ASSEMBLY INSTRUCTIONS

### Tools



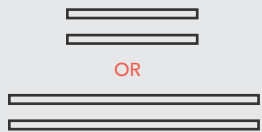
### Bases



### Posts



### Horizontal Bars



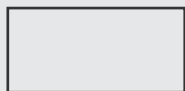
OR

### Panels

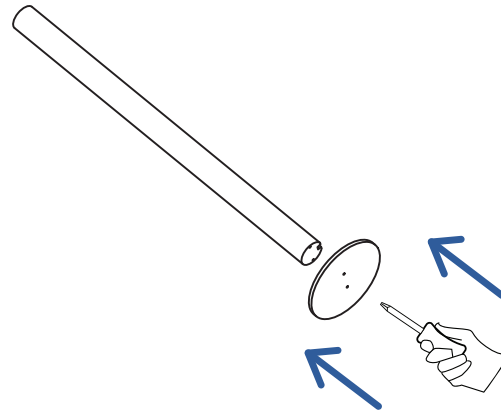


OR

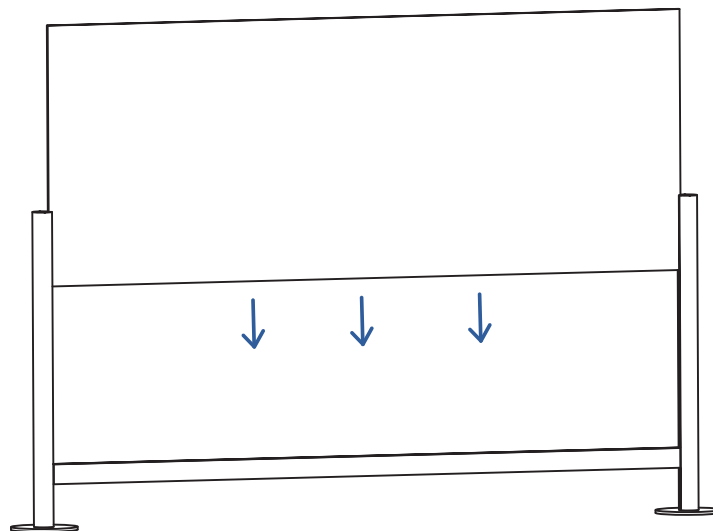
Large



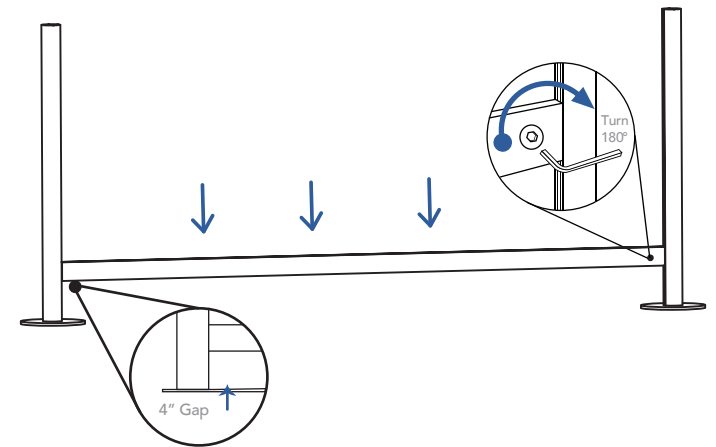
- 1** Using a screw driver, attach the base plates to the vertical posts. Repeat for both posts.



- 3** Remove the protective covering from the acrylic and slide the panel into the frame's channels.



- 2** Leaving a 4" gap above the bases, attach the horizontal bar by locking it into the post channel.



- 4** Finish securing the frame, by locking the last horizontal bar into the post channel.

