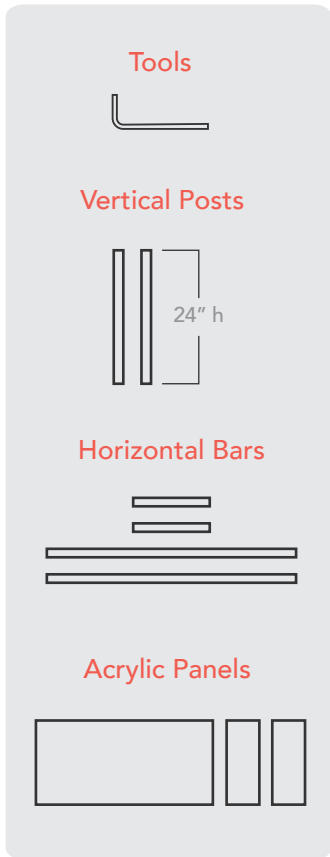


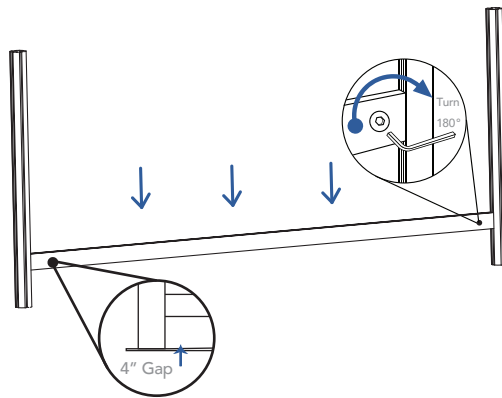
LOFTWALL

DESK SHIELD

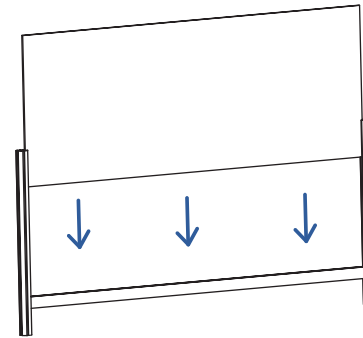
ASSEMBLY INSTRUCTIONS



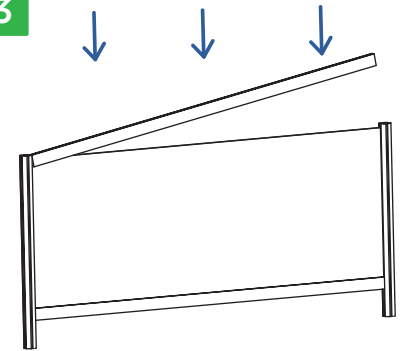
1 Leaving a 4" gap above the bases, attach the horizontal bar by locking it into the post channel.



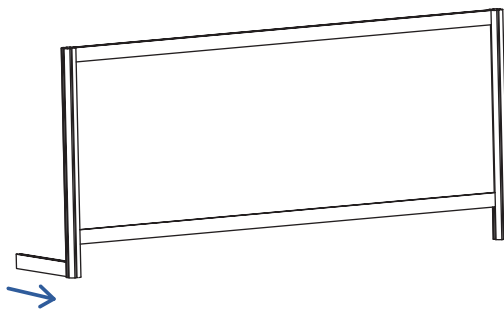
2



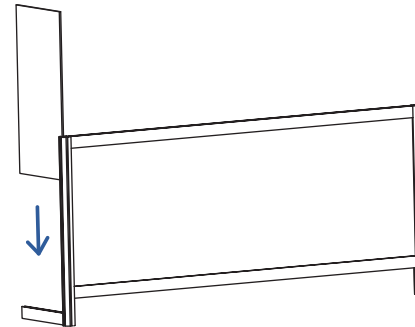
3



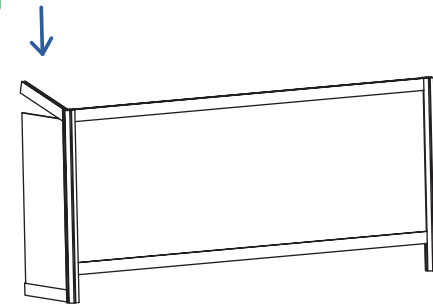
4 Lock the 12" return bar on the back side of the vertical post.



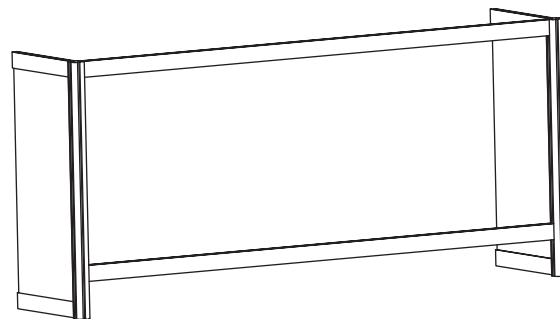
5



6



7



Repeat steps 4, 5, and 6 on the other vertical post.