

# FRAMEWALL

Divide and conquer

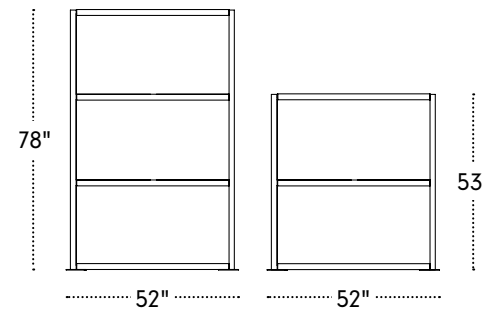


LOFTWALL

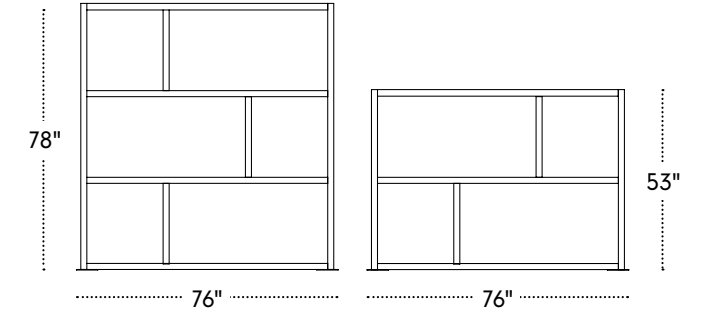
FrameWall is the new modern room divider screen system designed with aesthetics and privacy in mind for a wide range of spaces

## FRAMEWALL DIMENSIONS

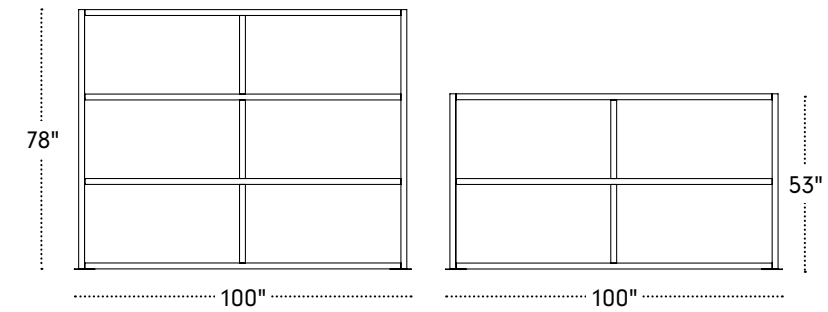
### 52" WIDE



### 76" WIDE



### 100" WIDE



LOFTWALL

214.239.3162 | [www.loftwall.com](http://www.loftwall.com)



# THE OTHER STUFF

## Dimensions

- Height: 53" or 78"
- Width: 52", 76", or 100" (base to base)
- Depth: Wall 1.75" | Base 13"

## Design Features

- Freestanding movable wall design
- Aluminum interlocking modular frame
- Translucent and opaque panel options
- Connect multiple walls with Link
- Removable panel design
- Integration of third party materials
- Fixed or caster base
- Frame finishes: Satin Aluminum, Glossy White, Matte Black and custom
- Custom sizes and options available

## Environmental Features

- Frame made from up to 75% recycled content
- Frame and panels can be recycled
- Panel options meet indoor air quality standards
- VOC free anodized frame finish

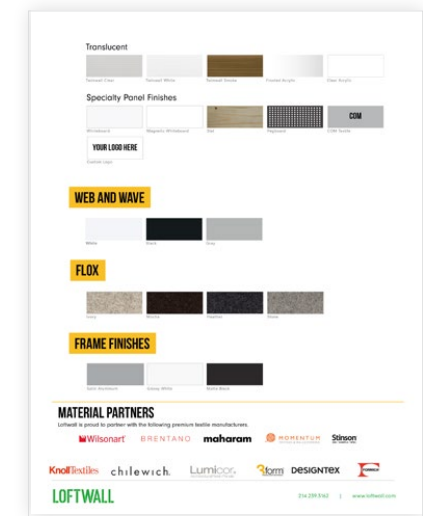


# PEOPLE DESERVE PRIVACY

The open office provides limitless potential. Potential for collaboration, and even more potential for distraction. That's why companies across the world use Framewall to define their spaces and give their teams a chance to focus and do their best work.



# CHOOSE YOUR PANELS



Time to get creative! Mix and match from our huge selection of panel styles and finishes. See our finishes cutsheet for all the options.