

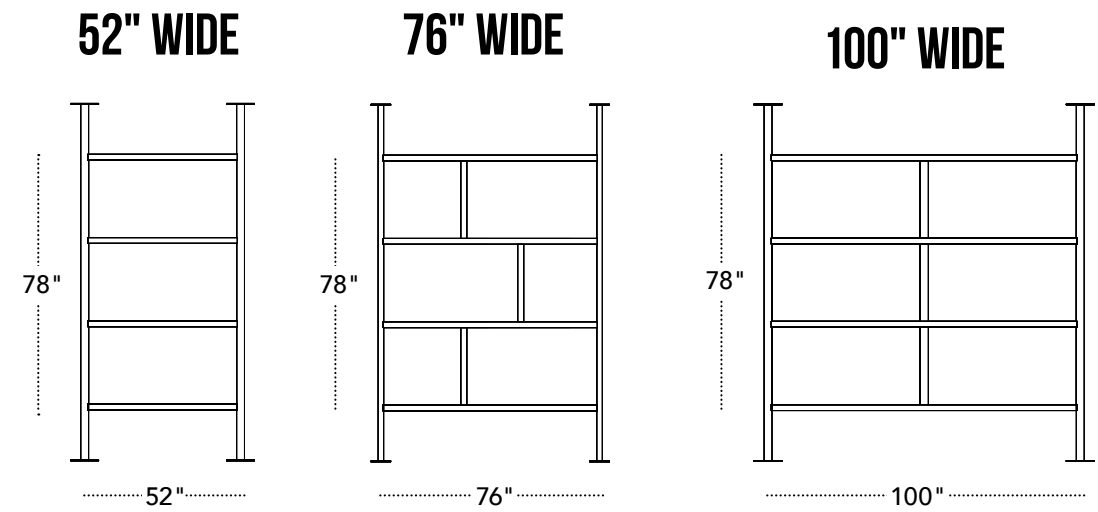
# HOVER

Bring out the big guns

LOFTWALL



## STANDARD DIMENSIONS



Not all spaces are created equally. Some are designed with privacy in mind and some are designed to be as open and unruly as the wild, wild west. Hover is the fire power product we reserve for those large, overlooked environments.

LOFTWALL



# THE OTHER STUFF

## Dimensions

- Height: Varies based on floor and ceiling distance
- Width: 52", 76", or 100" (base to base)
- Depth: Wall 1.75" | Base 13"

## Design Features

- Customizable panel design
- Acoustic, dry erase, and translucent panels
- Aluminum interlocking modular frame
- Ability to integrate third party materials
- Custom sizes and options available
- Frame finishes: Satin Aluminum, Glossy White, Matte Black and custom

## Environmental Features

- Frame made from up to 75% recycled content
- Frame and panels can be recycled
- Panel options meet indoor air quality standards
- VOC free anodized frame finish

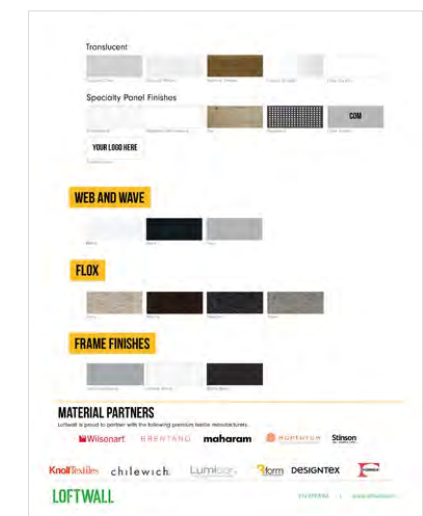


# PEOPLE DESERVE PRIVACY

Spaces are rendered unusable without privacy. A combination of acoustical privacy, visual privacy and territorial privacy is crucial to the success of any environment.



# CHOOSE YOUR PANELS



Time to get creative! Mix and match from our huge selection of panel styles and finishes. See our finishes cutsheet for all the options.