

LOFTWALL

GLIDE

ASSEMBLY INSTRUCTIONS

Tools

Track

Stoppers

Extrusion with Wheels

Horizontal Bars

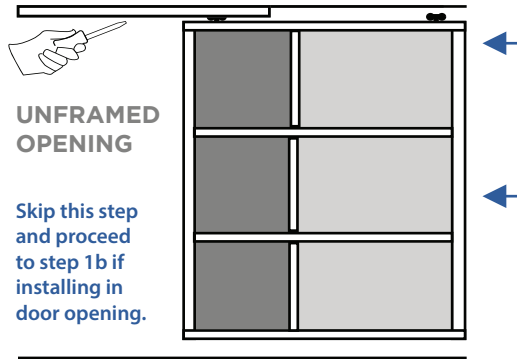
Vertical Bars

Panels

Small Large

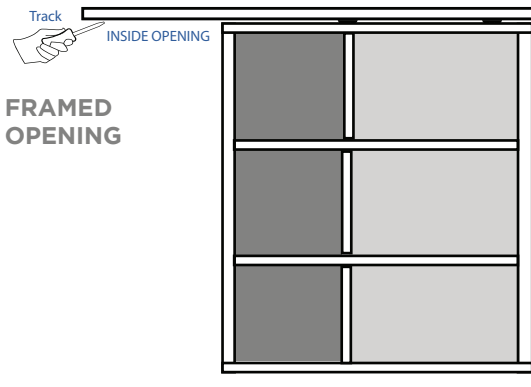
Note: Confirm overhead support is structurally sound to support panel weight

- 1.**
- Measure, ensure it is level and the correct size
 - Mount the track(s) required to hold the door(s) to the ceiling using screws or anchors (Not Provided)

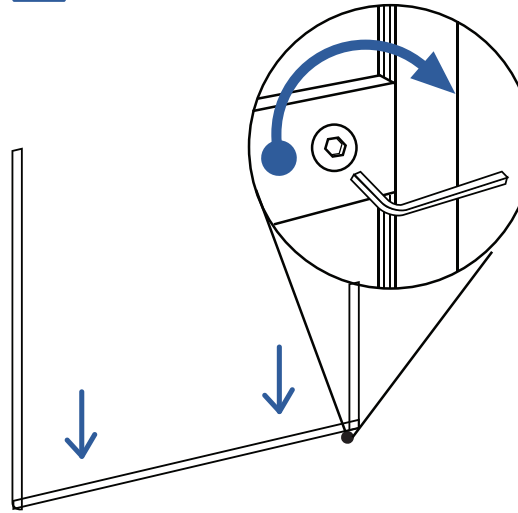


If installing multiple tracks, put up the first, follow all the instructions and then mount additional track(s).

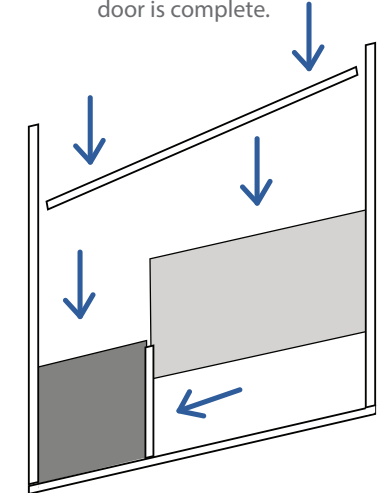
- 1b.**
- Measure opening, ensure track is the size and that it is level when installing
 - Follow steps 2 through 4 to build door
 - Install 1st stopper and slide door into track
 - Screw track into opening and insert 2nd stopper



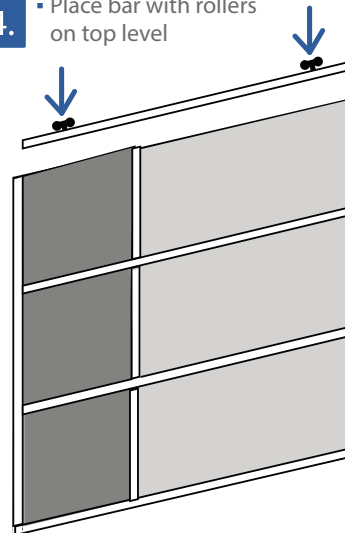
- 2.**
- Attach horizontal bar
 - Lock in place



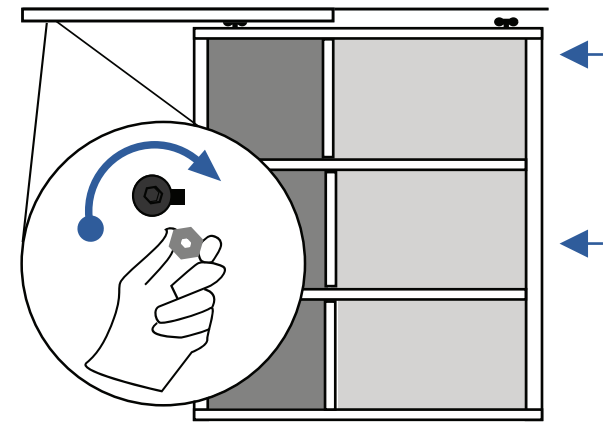
- 3.**
- Attach vertical bars & insert panels
 - Then attach Horizontal bar
 - Keep adding panels & bars until door is complete.



- 4.**
- Place bar with rollers on top level



- 5.**
- Tighten first stopper
 - Insert door(s)
 - Install remaining tracks, if applicable.
 - Tighten 2nd stopper
 - Repeat steps 1-5 for additional doors

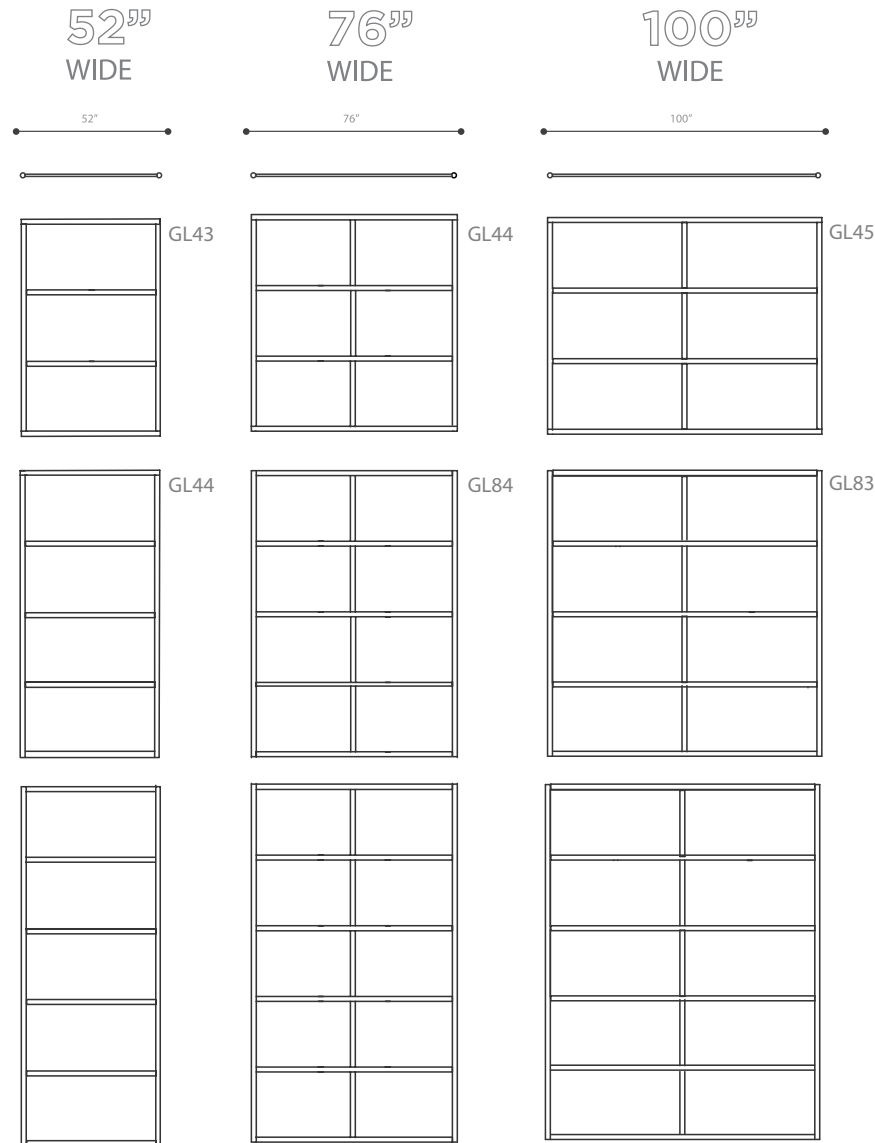


Note: GLIDE and track must be installed as one unit. Additional help may be required. Any adjustments in height must be completed outside the track.

LOFTWALL

CARE & CLEANING

STANDARD WALL DESIGNS



LOFTwall's frame is made of aluminum and is coated by an anodizing process to protect the finish. Aluminum is considered to be one of the most versatile metals for furniture use. Not only is it durable, but it is also virtually care free. Aluminum does not rust, when exposed to air it will develop a microscopic layer of oxide on its exterior, which protects the metal from rusting and corrosion. This is one of the most important factors in choosing aluminum as furniture material. Although anodized aluminum is exceptionally resistant, to corrosion, discoloration, wear and harsh chemicals, abuse or neglect can mar its natural beauty. Such conditions usually affect only the surface finish but do not reduce the service life of the aluminum.

ALWAYS

- Use only mild soap and water with soft towel or sponge to wash anodized aluminum.
- Rinse well. The anodized finish resists corrosion.
- When using metal protection products be sure they are formulated for anodized aluminum.

NEVER

- Never use bleach or chlorides. They have a tendency to leach on the aluminum, which could lead to staining and pitting.
- Never use abrasive cleaning products. Never use steel or brass wool, wire brushes, polishing wheels, rubbing or polishing compounds. These items will remove the anodizing and lead to pitting.
- Never use concentrated alkaline base solutions, many detergents fall into this category.
- Never use commercial cleaners on anodized aluminum.

Care & Maintenance

When replacing or re-arranging panels be sure to tighten the frame locks on the horizontal and vertical bars.

The frame locks are designed to remain tightly locked, environments with floor vibrations (heavy foot traffic or equipment) may cause the locks to loosen slightly over time, periodically check and retighten the locks if needed.

If you need to disassemble or pack LOFTwall for moving or storage, be sure to wrap the aluminum frame components in furniture pads or protective (bubble) wrap. The aluminum components can get scratches if not protected when packing.