

# SPLIT

## STANDARD FRAME FINISHES



Satin Aluminum    Glossy White    Matte Black

## STANDARD PANEL FINISHES



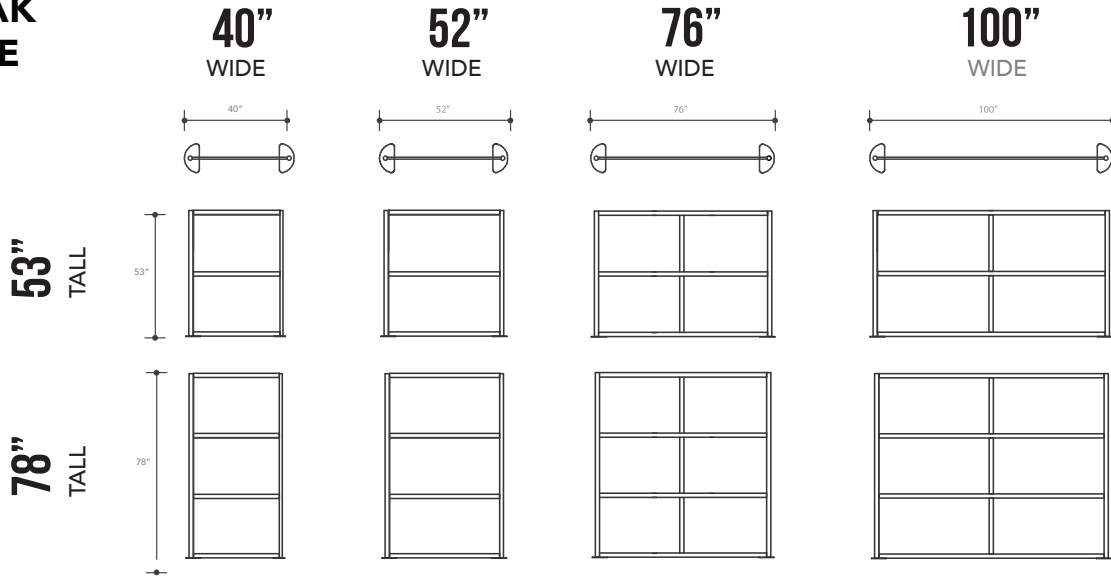
Frosted Acrylic    Clear Acrylic    Clear Twinwall

## DESIGN FEATURES

- Aluminum interlocking frame
- Cleanable with healthcare-grade cleaners
- Assembles in less than 10 minutes
- Caster and base plates available



## BREAK STYLE



## OPEN STYLE

