

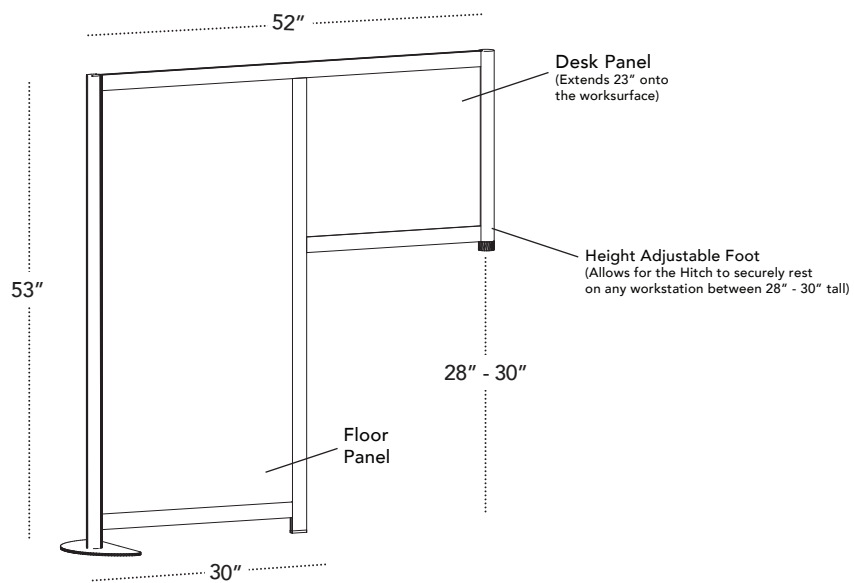


HITCH

Tie privacy to any workstation.

DESIGN FEATURES

- Designed for a 28" - 30" tall worksurfaces
- Assembles in less than 10 minutes
- Frame made from 75% recycled content
- Aluminum interlocking modular frame
- Cleanable with healthcare-grade cleaners
- Frame and panel can be recycled



AVAILABLE FRAME FINISHES



AVAILABLE PANEL FINISHES



*Every Hitch was designed to have 1 Floor panel and 1 Desk panel.

