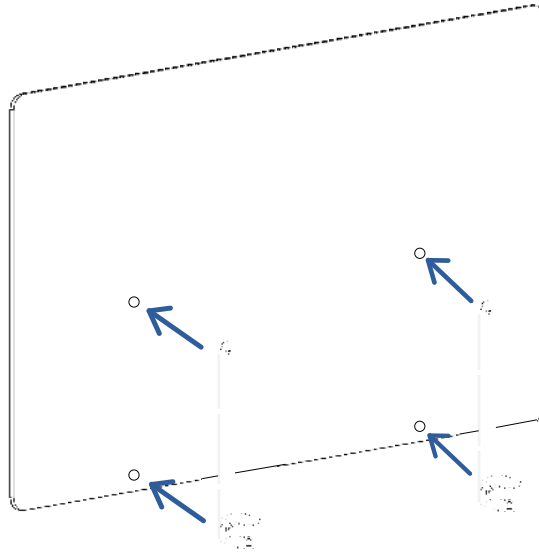


LOFTWALL

SHELTER

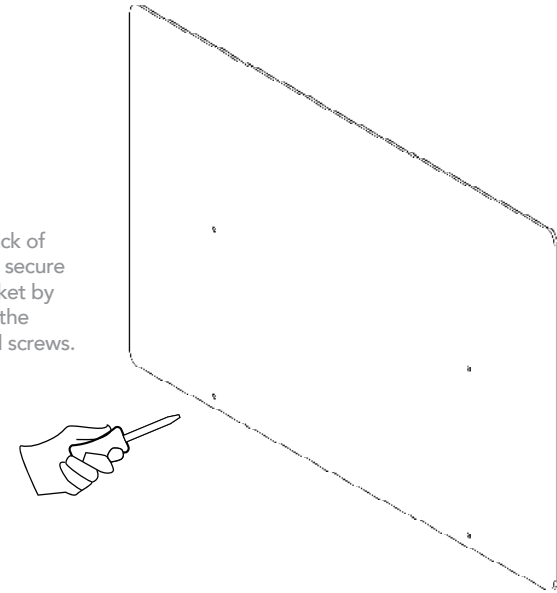
ASSEMBLY INSTRUCTIONS

1

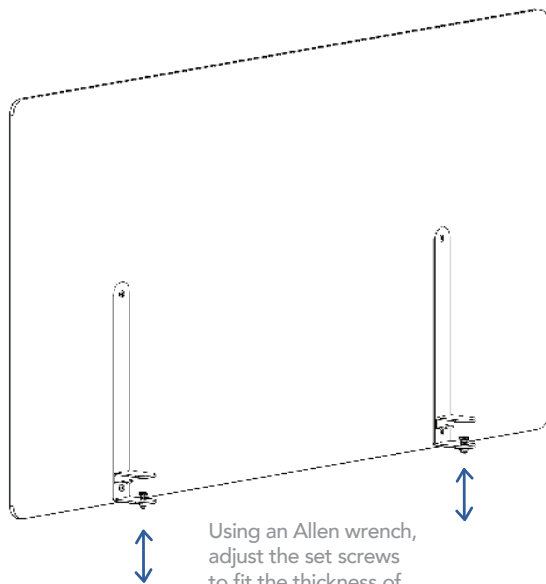


2

On the back of the panel, secure each bracket by attaching the two barrel screws.



3



Using an Allen wrench, adjust the set screws to fit the thickness of the work surface.

4

Attach the brackets to the work surface and adjust as needed.

