

SPLIT

AVAILABLE FRAME FINISHES



Satin Aluminum Glossy White Matte Black

AVAILABLE PANEL FINISHES



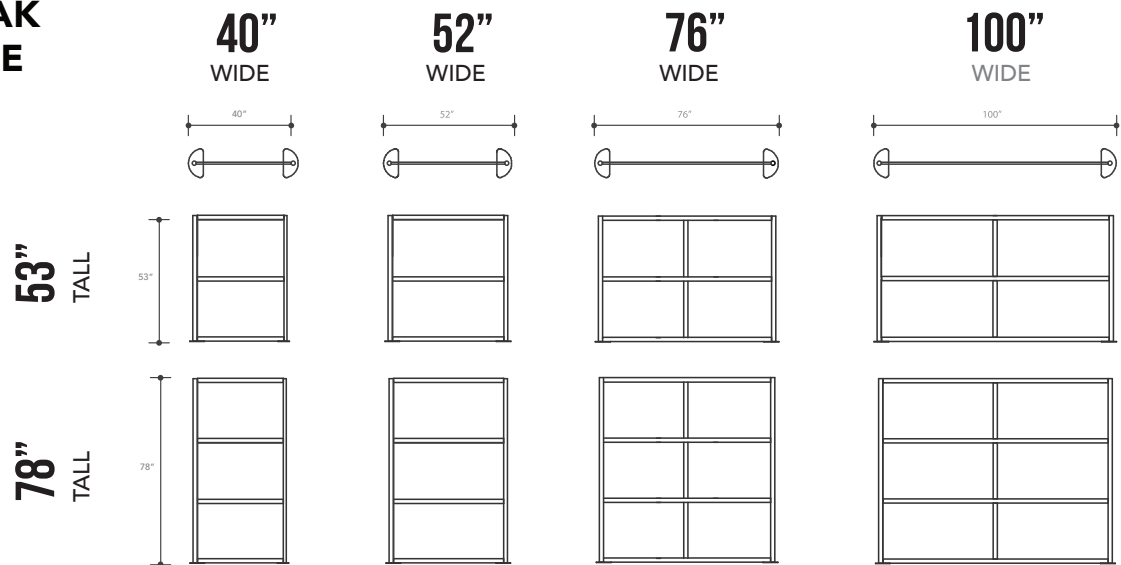
Frosted Acrylic Clear Acrylic Clear Twinwall

DESIGN FEATURES

- Aluminum interlocking frame
- Cleanable with healthcare-grade cleaners
- Assembles in less than 10 minutes
- Caster and base plates available



BREAK STYLE



OPEN STYLE

