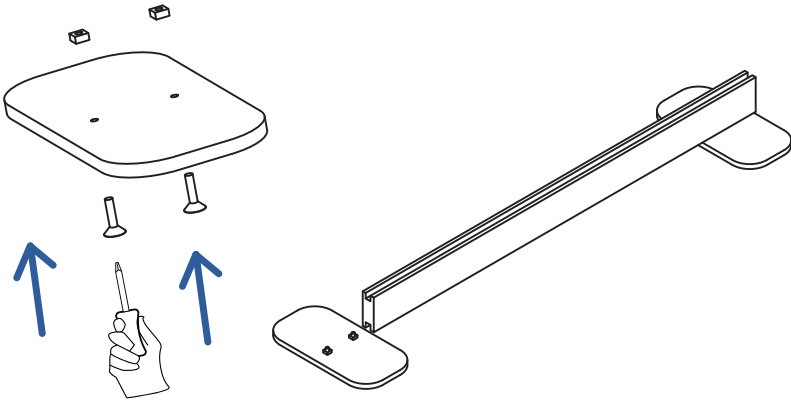


LOFTWALL

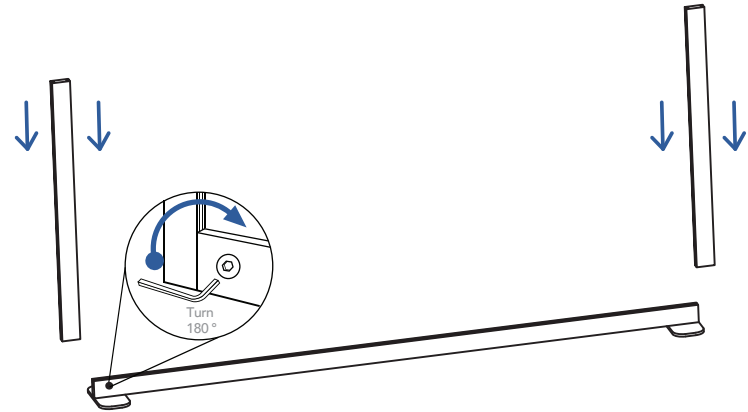
COUNTER SHIELD - BASIC

ASSEMBLY INSTRUCTIONS

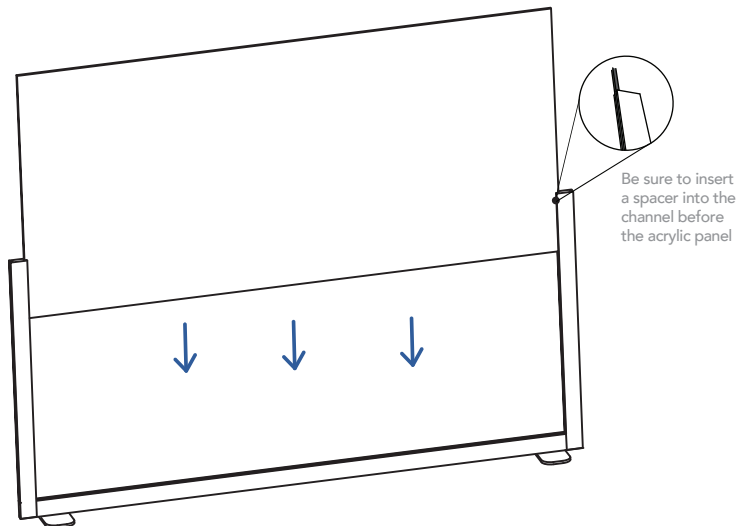
- 1 Using a screw driver, assemble both base plates. Slide the base plates into the bottom channel of the horizontal bar.



- 2 Attach the vertical posts by locking them into the horizontal bar's top channel.



- 3 Insert a spacer into each vertical post. Slide the acrylic panel into the vertical post.



- 4 The system should be assembled. If the acrylic panel is resting on the bottom horizontal bar, remove the panel and insert a spacer into each vertical channel.

