

# TEMPO

Turn down the volume, with style.

LOFTWALL



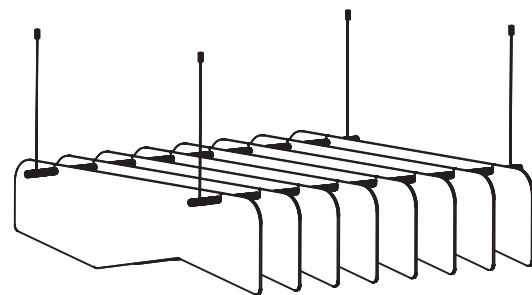
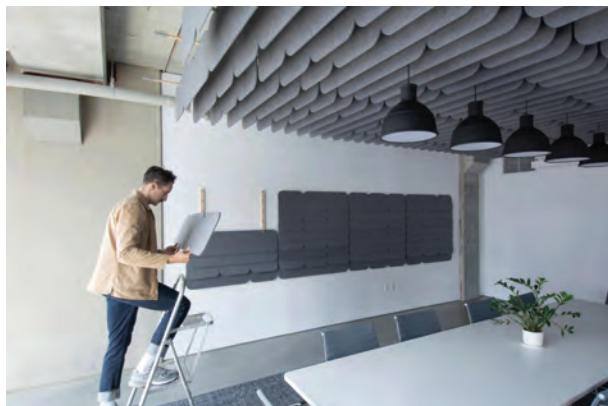
Imagine how productive you'd be if your workspace was as quiet as a museum. With artfully designed, noise canceling panels, Tempo presses mute on your space while looking like a masterpiece. Go on, scream with excitement. No one will hear you.

Meet Tempo. It's acoustic eye candy.

# THE BREAKDOWN

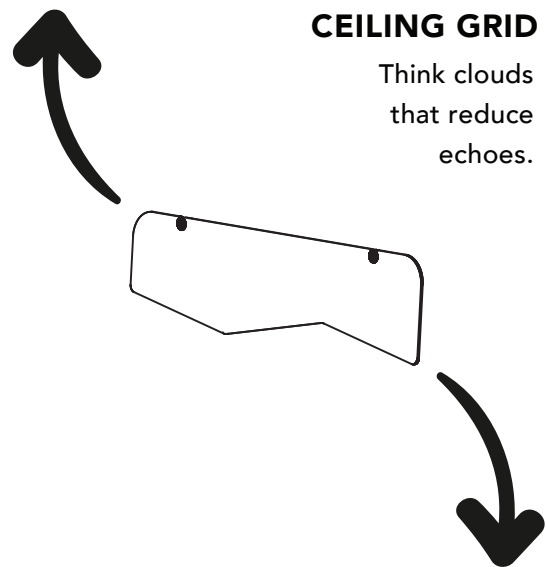
## ACOUSTICS MADE SIMPLE

You shouldn't need to be an acoustic engineer to improve the sound quality of your space. We studied and learned the intricacies of sound waves so you didn't have to. And what did we do with our findings? We designed Tempo, the simplest acoustic baffle system ever created.



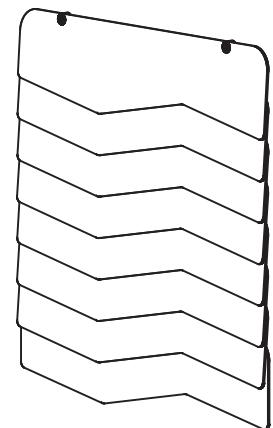
### CEILING GRID

Think clouds that reduce echoes.



### WALL GRID

Think beautiful, noise-cancelling murals.

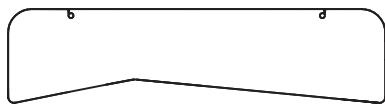


# PANELS

## HAVE IT YOUR WAY

While wall and ceiling grids have the ability to hold 8 acoustic panels, they can be outfitted with any 8 panels of your choosing. Will you pick the same panel 8 times? Will you pick 8 different panels? Will you design your own 8 panels? So many options, better order a few grids to be safe.

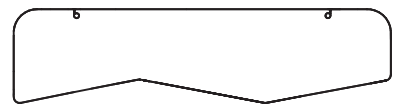
### THE TURN FAMILY



Turn 1

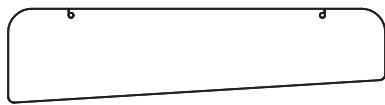


Turn 2



Turn 3

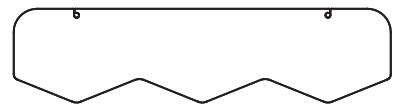
### THE TILT FAMILY



Tilt 1

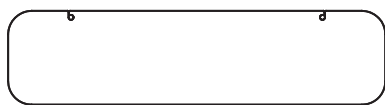


Tilt 2



Tilt 3

### THE TAB FAMILY



Tab 1



Tab 2



Tab 3

### THE TIDE FAMILY



Tide 1



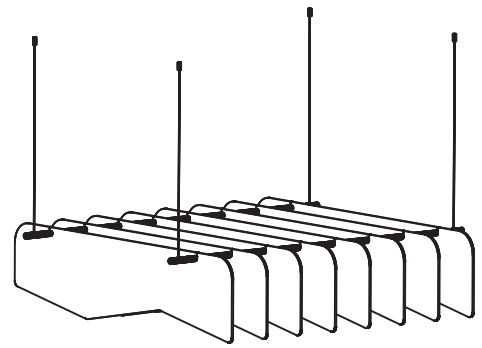
Tide 2



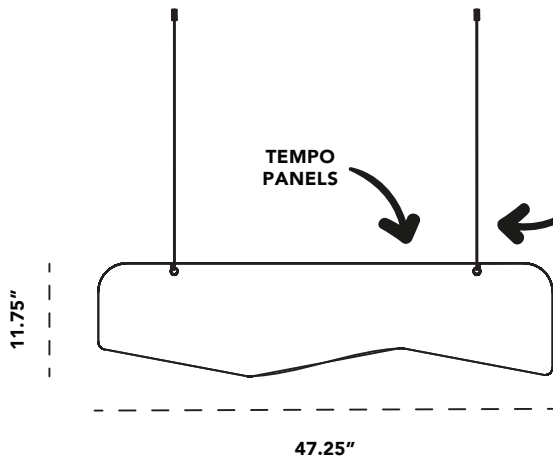
Tide 3

# CEILING GRIDS

<b>PANEL THICKNESS</b>	<b>0.25"</b>	<b>0.50"</b>
<b>NRC RATING</b> ASTM C423-17: Type J Mounting	0.90	1.05
<b>SAA RATING</b> ASTM C423-17: Type J Mounting	0.95	1.06
<b>PANEL MATERIAL</b>	Polyester (PET) felt 60% post-consumer recycled	

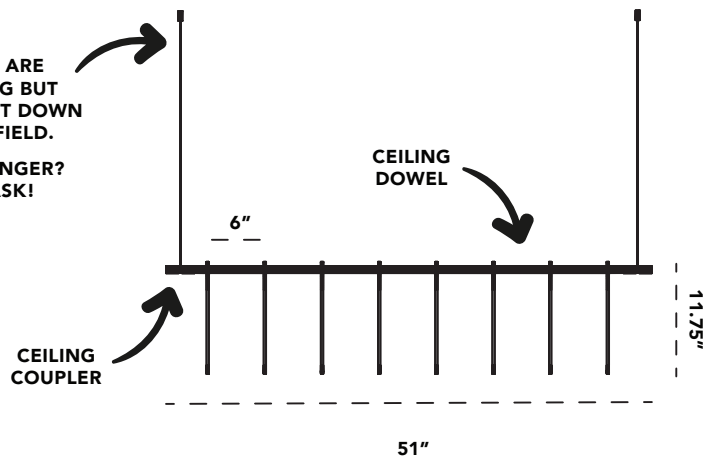


## FRONT VIEW

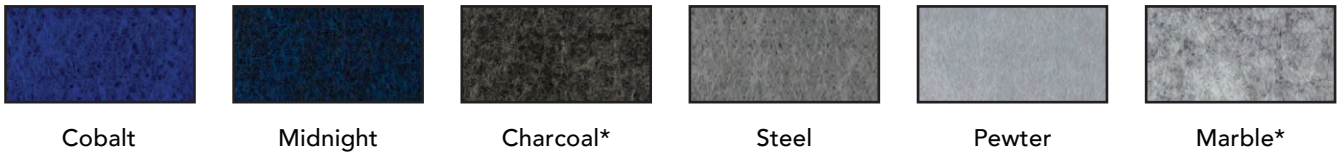


CABLES ARE 24" LONG BUT CAN BE CUT DOWN IN THE FIELD.  
NEED LONGER? JUST ASK!

## PROFILE VIEW



## PANEL FINISHES



## DOWEL FINISHES

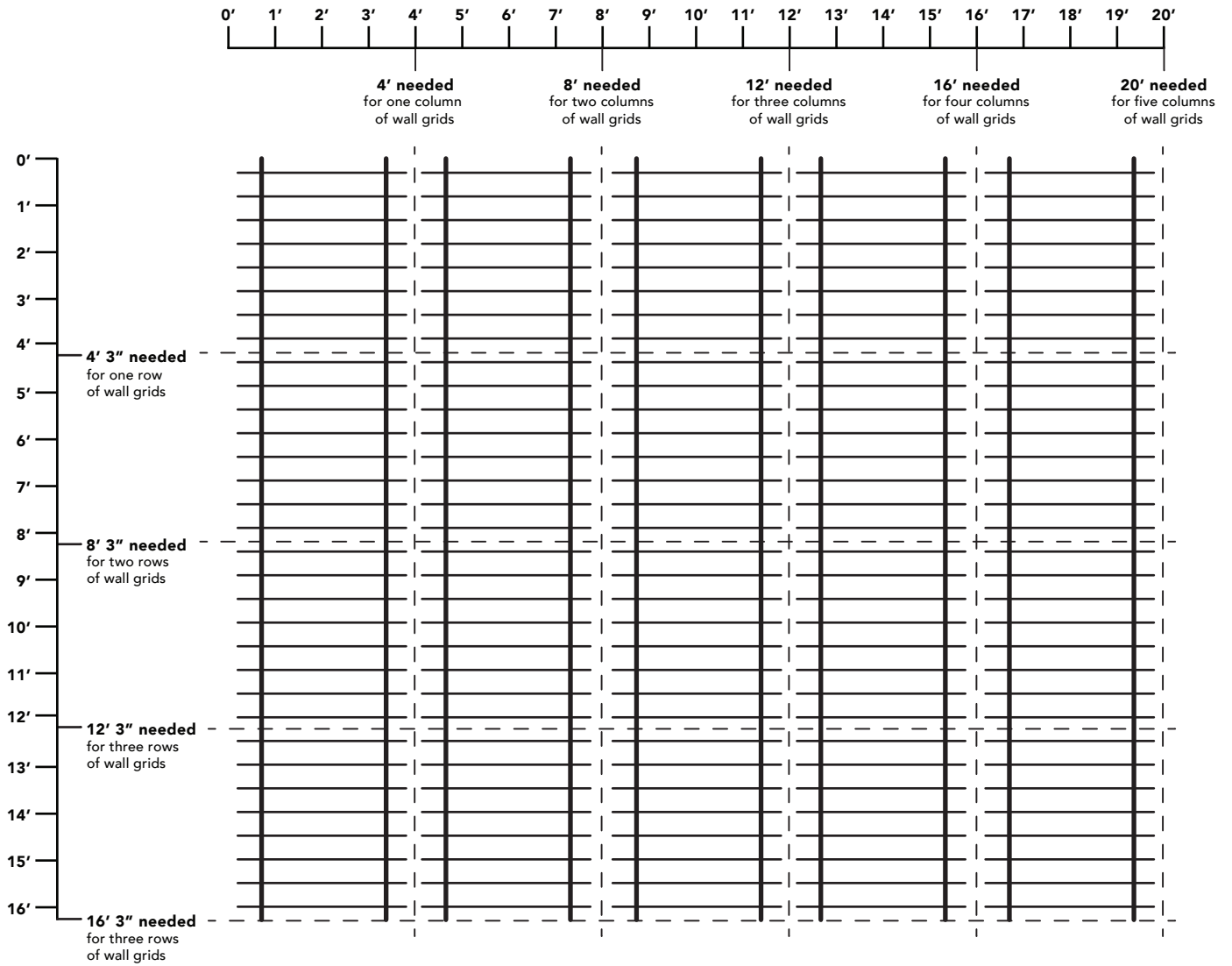


## COUPLER FINISHES



\*0.5" thick Tempo Panels only available in Charcoal and Marble  
\*\*Custom panel finishes available upon request

# CEILING TYPICALS

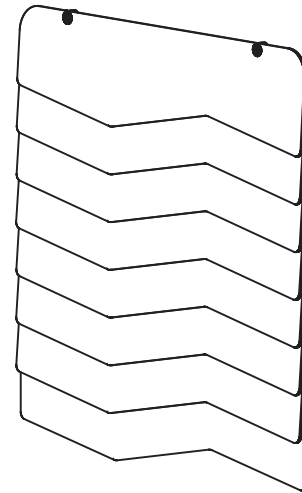


## 6 Ceiling Tempo Grids

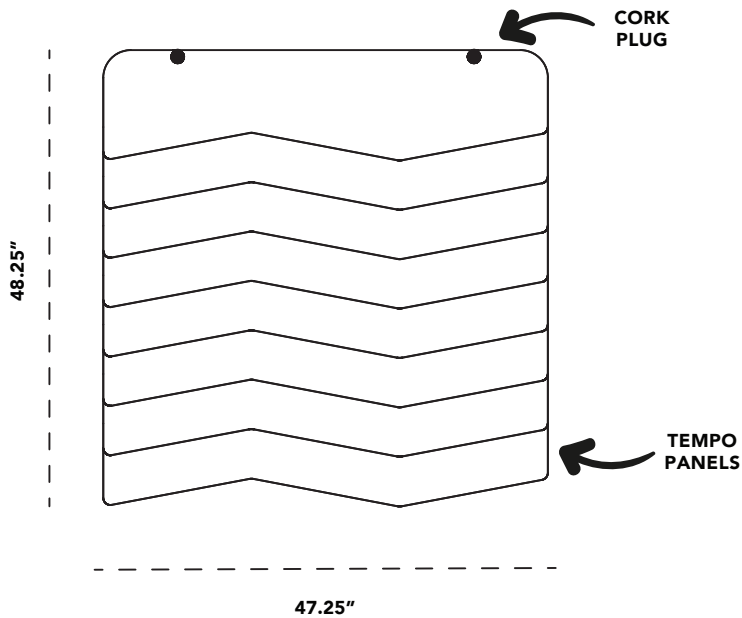
Panel Design: Turn 2, Panel Finish: Charcoal, Grid Layout: 3 rows, 2 columns (8' W x 12' 3" L)

# WALL GRIDS

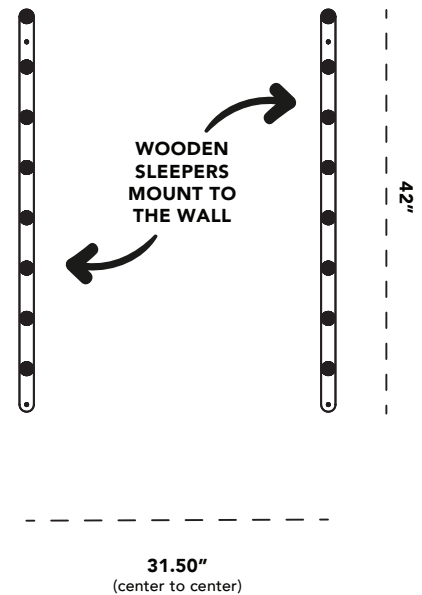
PANEL THICKNESS	0.25"	0.50"
<b>NRC RATING</b> ASTM C423-17: Type F Mounting	0.65	0.85
<b>SAA RATING</b> ASTM C423-17: Type F Mounting	0.67	0.84
<b>PANEL MATERIAL</b>	Polyester (PET) felt 60% post-consumer recycled	



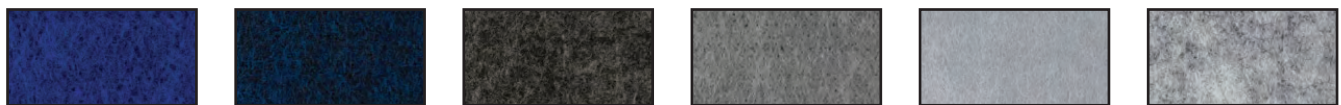
## WITH PANELS



## WITHOUT PANELS



## PANEL FINISHES



Cobalt

Midnight

Charcoal\*

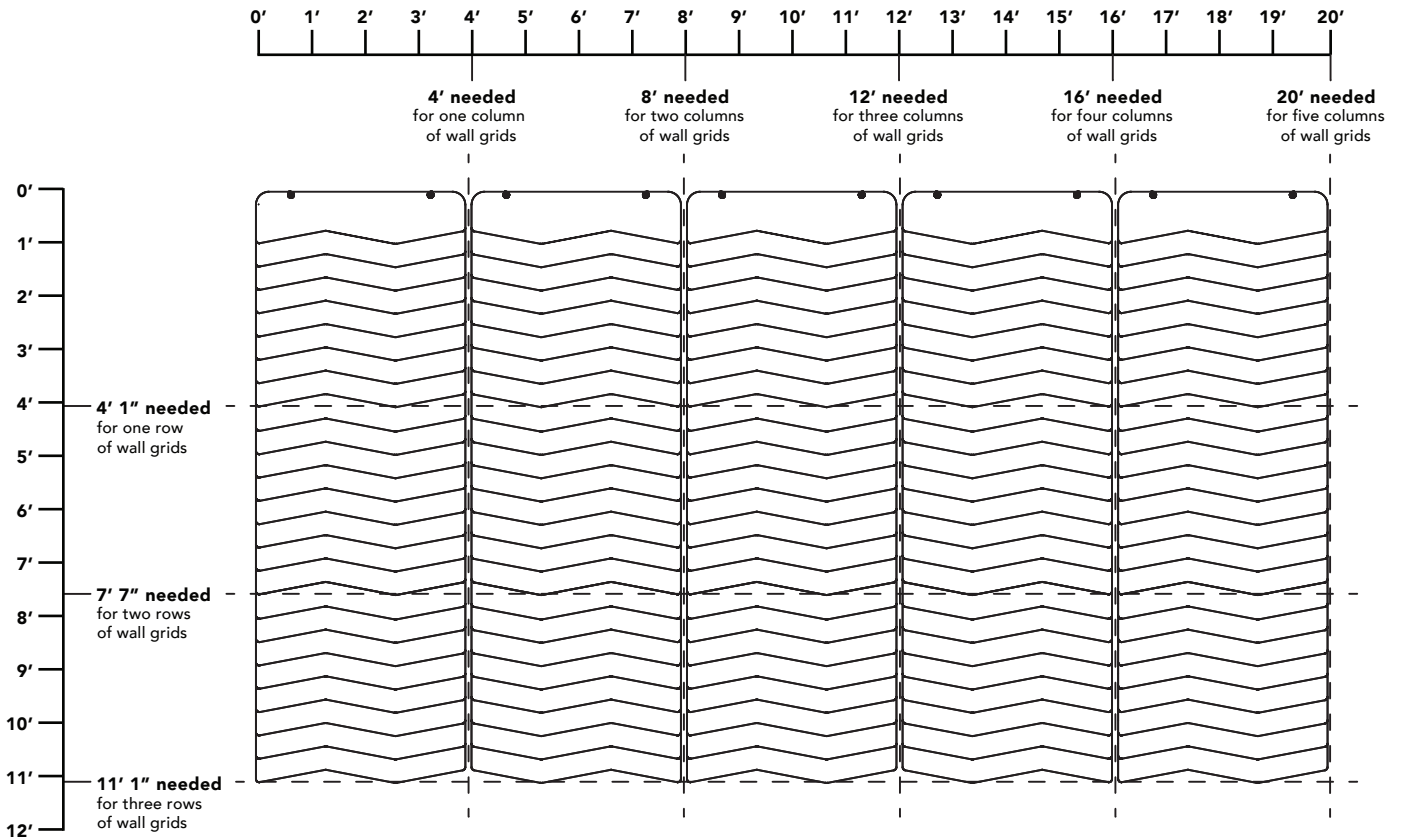
Steel

Pewter

Marble\*

\*0.5" thick Tempo Panels only available in Charcoal and Marble  
\*\*Custom panel finishes available upon request

# WALL TYPICALS



## 4 Wall Tempo Grids

Panel Design: Tide 3, Panel Finish: Marble, Grid Layout: 1 row, 4 columns (4' 1" H x 16' W)

**LOFTWALL**

[www.loftwall.com/tempo](http://www.loftwall.com/tempo)

# CEILING VIBES

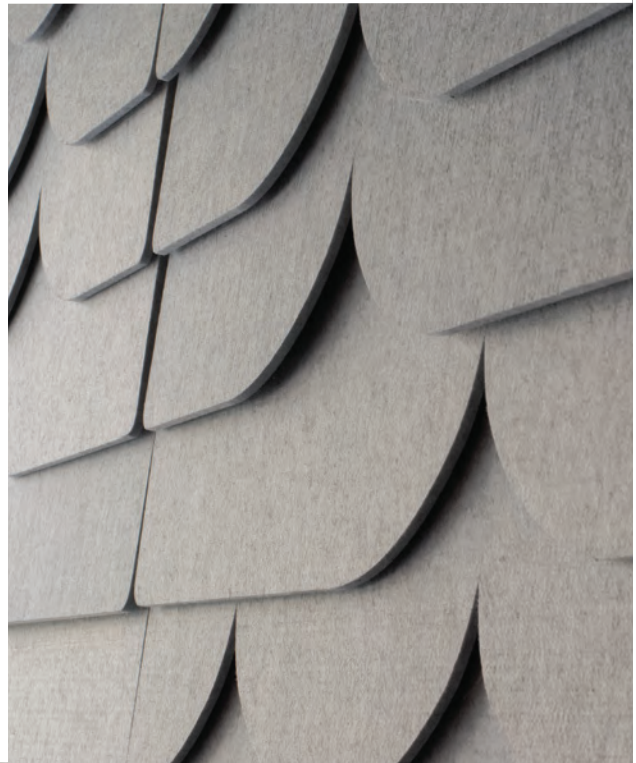




# WALL VIBES



# VIBES



**LOFTWALL**

[www.loftwall.com/tempo](http://www.loftwall.com/tempo)  
Designed in partnership with KEM STUDIO