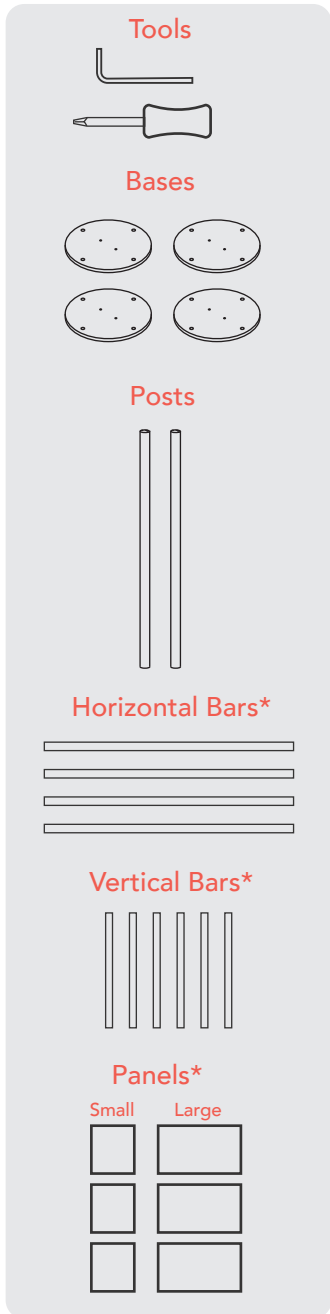


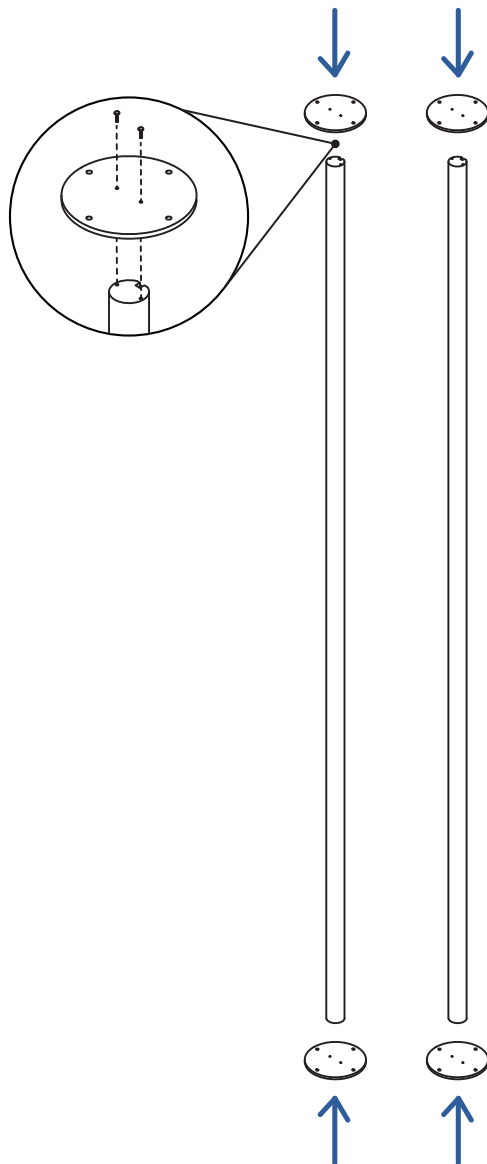
LOFT WALL

HOVER

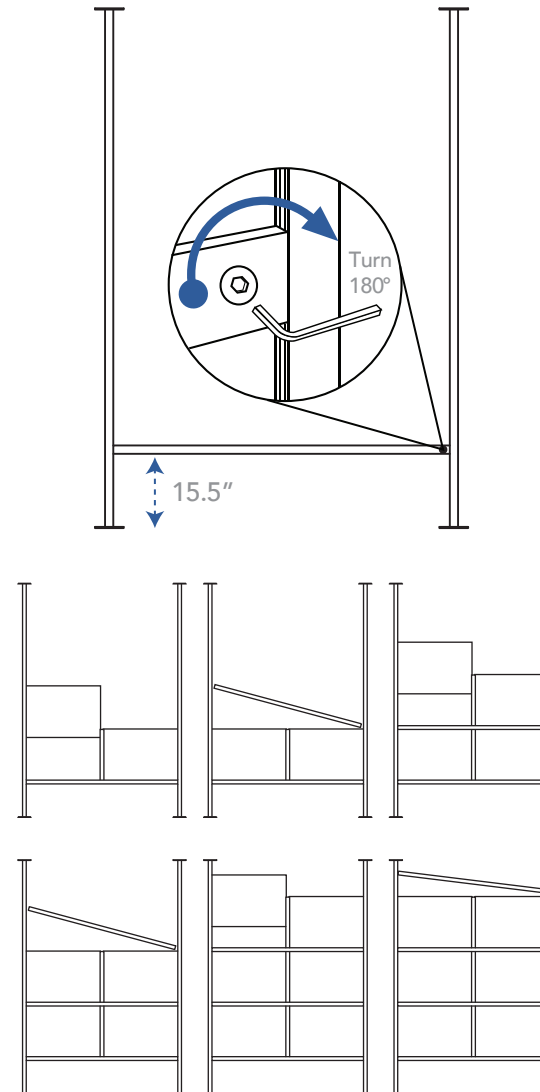
ASSEMBLY INSTRUCTIONS



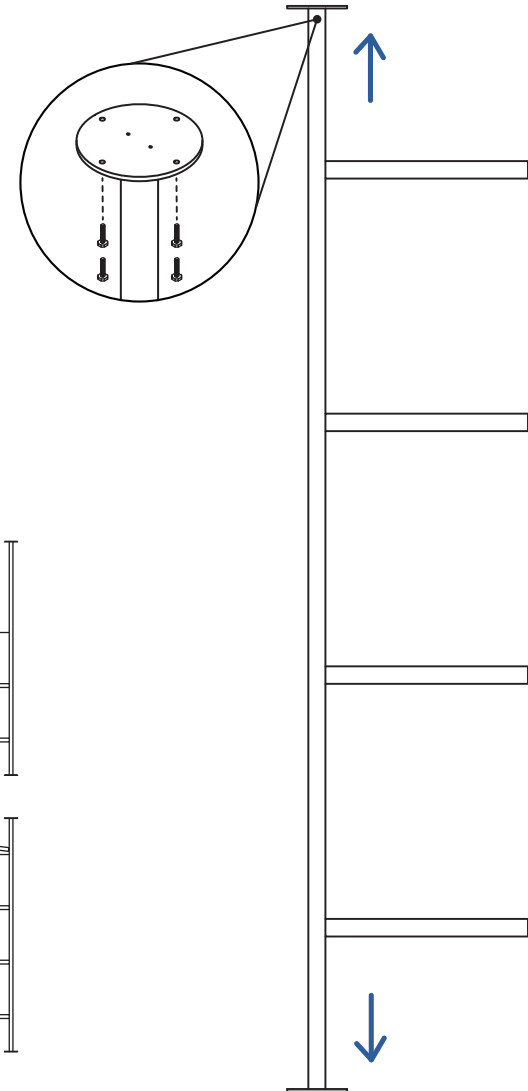
1 Attach top and bottom bases to both posts.



2 Leaving a 15.5" gap from the bottom, assemble the bars and panels



3 Mount the bases to the floor and ceiling.



*NOTE: Quantity and size of horizontal bars, vertical bars and panels will vary based on ordered configuration.