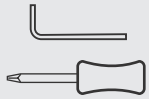


# LOFTWALL

# DOUBLE HITCH ASSEMBLY INSTRUCTIONS

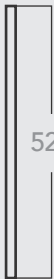
## Tools



## Half Moon Base

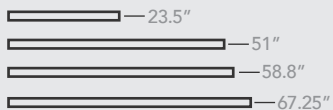


## End Posts

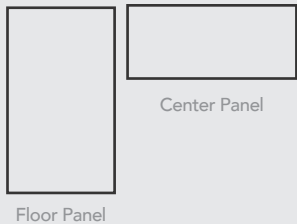


52.5"

## Support Bars



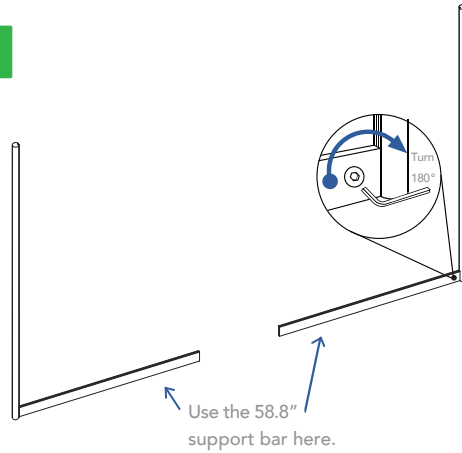
## Panels



Center Panel

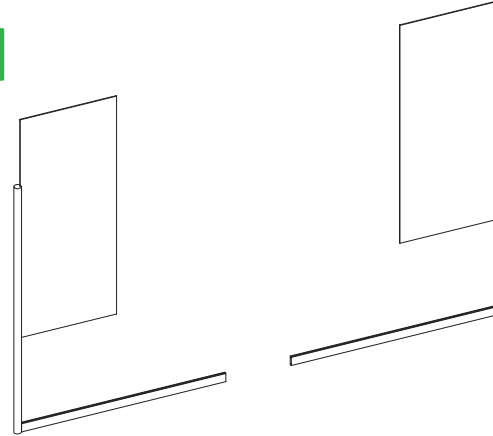
Floor Panel

1

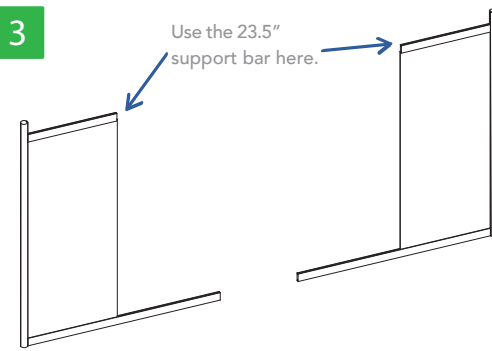


Use the 58.8" support bar here.

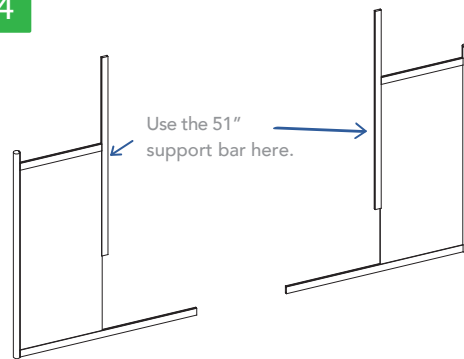
2



3

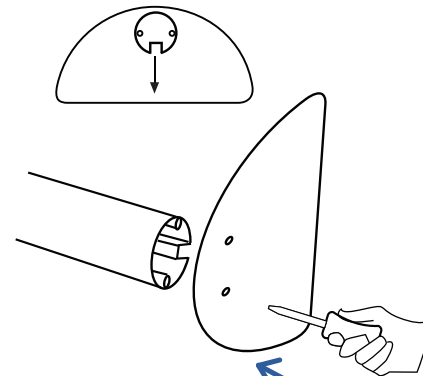


4



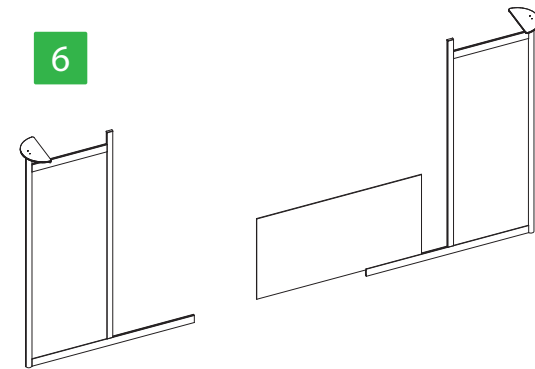
Use the 51" support bar here.

5

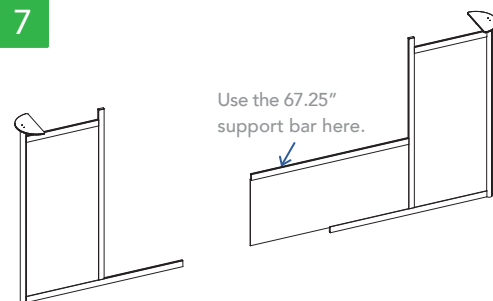


Screw on bases to each end post

6

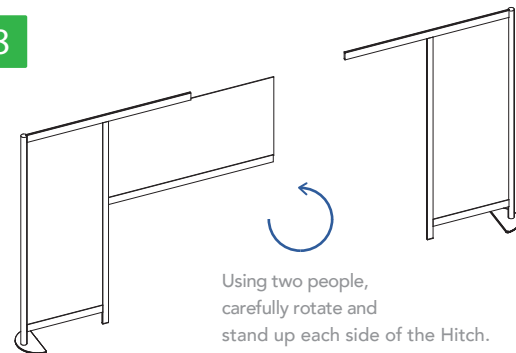


7



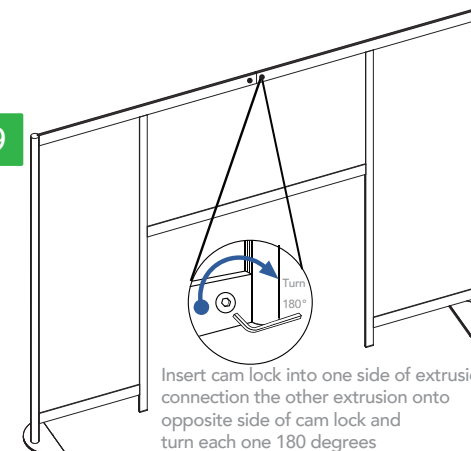
Use the 67.25" support bar here.

8



Using two people, carefully rotate and stand up each side of the Hitch.

9



Insert cam lock into one side of extrusion connection the other extrusion onto opposite side of cam lock and turn each one 180 degrees to lock into place.