

# TEMPO WALL

LOFTWALL

## CEILING INSTALL GUIDE

### PREREQUISITES

 **ONE PERSON**  
REQUIRED - NOT PROVIDED

 **LADDER**  
REQUIRED - NOT PROVIDED

 **POWER DRILL**  
REQUIRED - NOT PROVIDED

 **MEASURING TAPE**  
REQUIRED - NOT PROVIDED

 **CONSTRUCTION LEVEL**  
REQUIRED - NOT PROVIDED

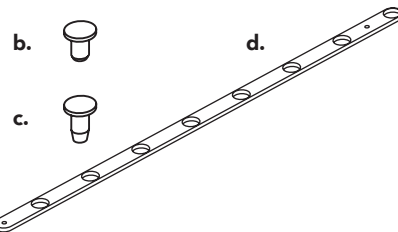
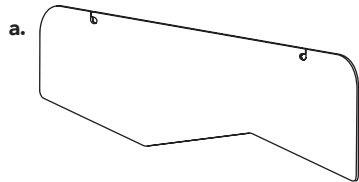
### MATERIALS

a. Panels

b. Cork Plug

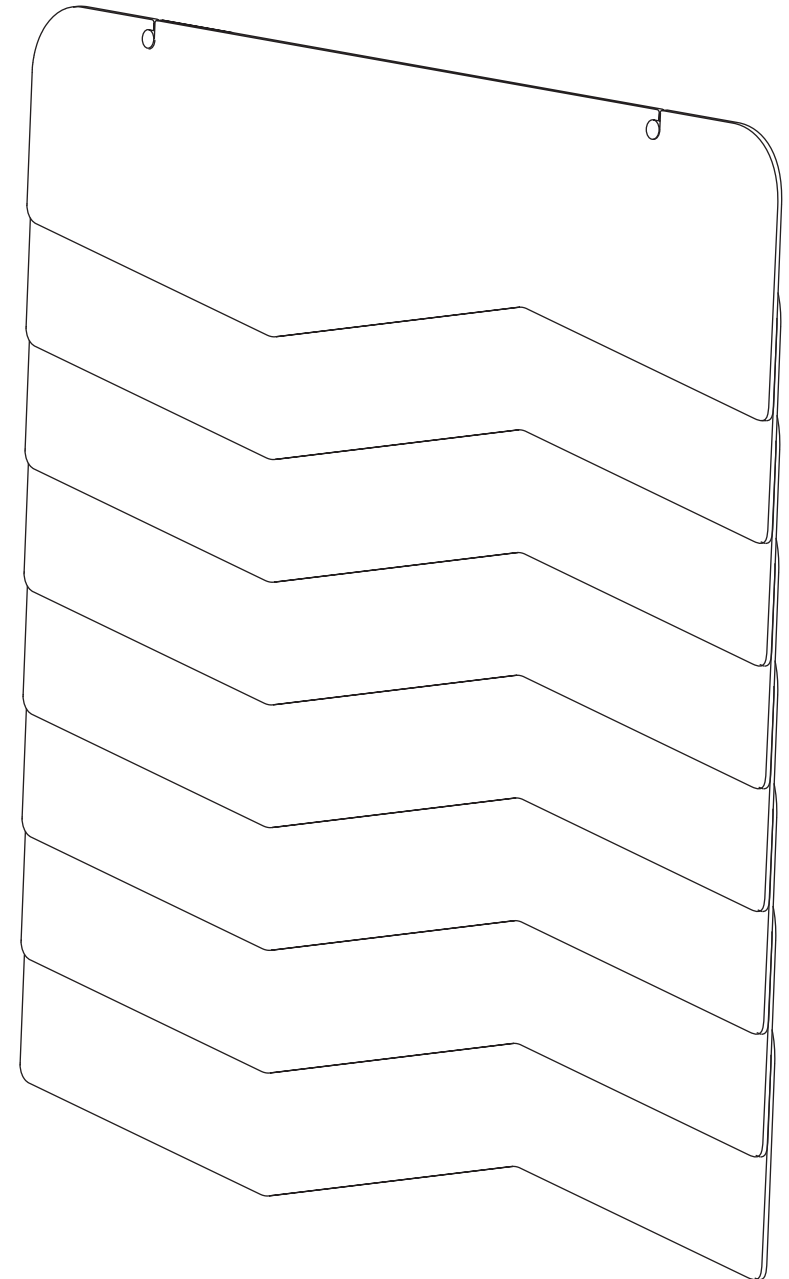
c. Rubber Plug

d. Wooden Sleeper



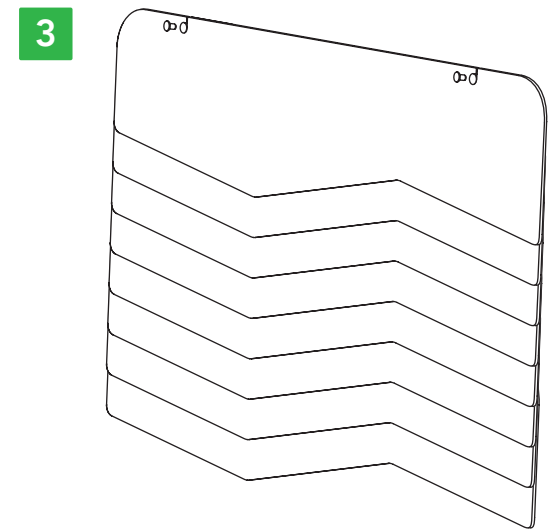
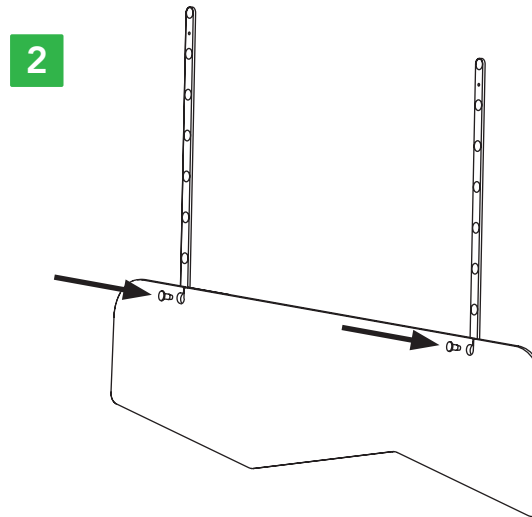
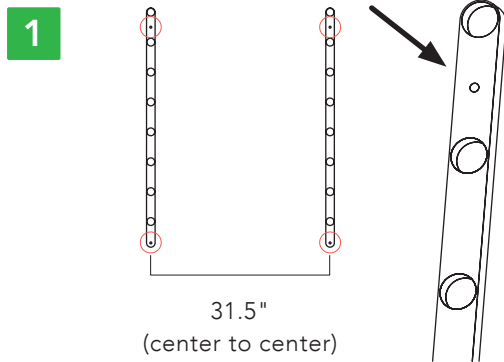
### IMPORTANT NOTE:

Because each wall is different, be sure to use the appropriate, weight bearing, screws to hang your Tempo Wall. Loftwall does not provide wall anchors or mounting screws.



## PREPARING THE COUPLERS

1. Begin by attaching the wooden sleepers to the wall, allowing there to be a 31.5" gap (center to center) between both sleepers. Before screwing in the bottom screws, be sure to use a level to make sure each sleep is perfectly level.
2. Once the sleepers are attached to the wall, begin hanging the panels by sliding the rubber plugs through the panels and into the sleepers.
3. On the last panel, be sure to use the cork plug allowing for a more appealing look to the plugs.



### USING THE LADDER:

Not every project requires a ladder, but it may be helpful depending on how high the Tempo Walls are being hung.

### FOR MORE INFORMATION

#### Scan the QR Code

- To see all product details
- For details on how to contact us.

