

ROOMS

ROOMS ASSEMBLY GUIDE

LOFTWALL

PREREQUISITES



TWO PEOPLE
REQUIRED - NOT PROVIDED



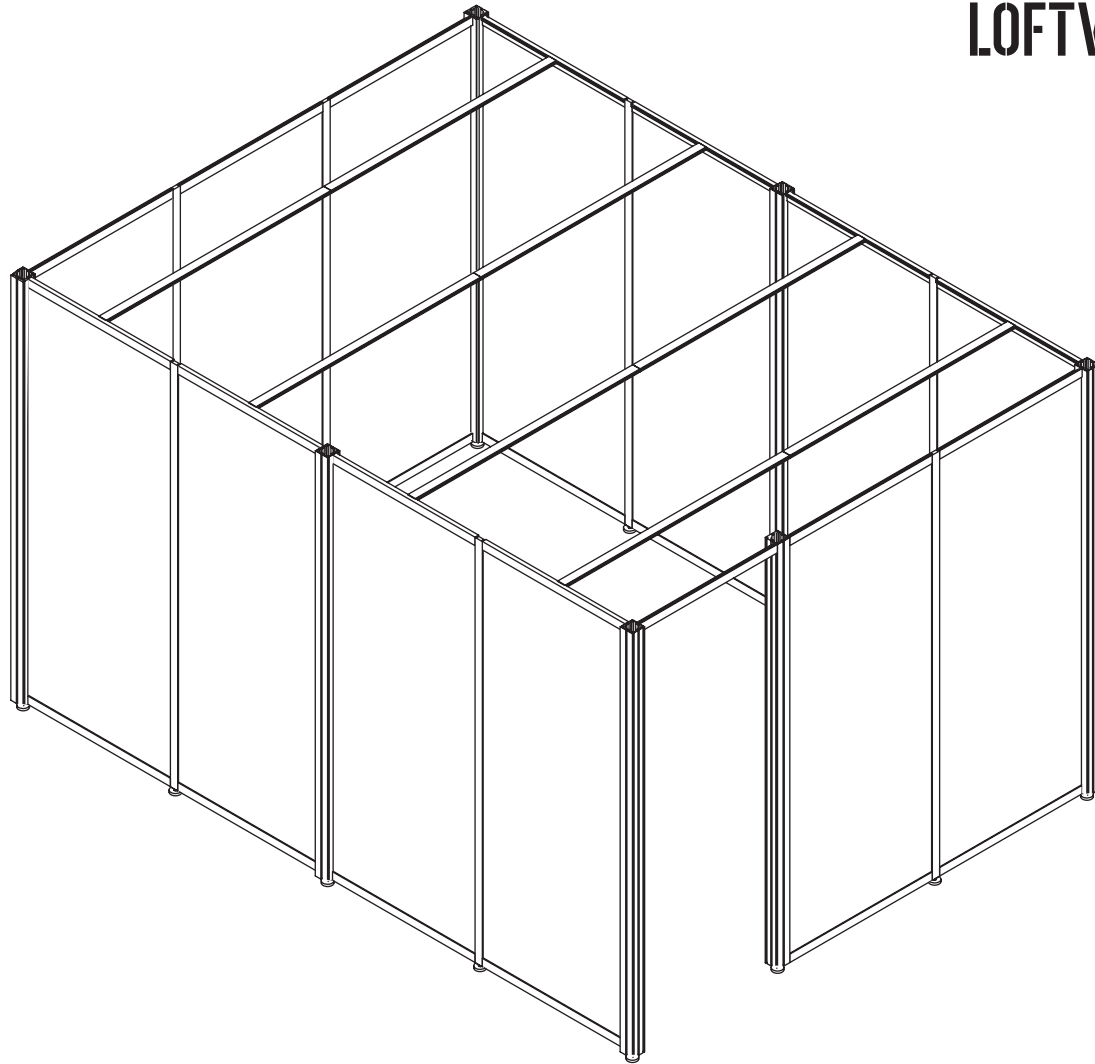
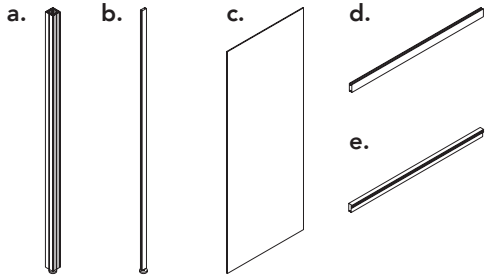
ALLEN WRENCH
REQUIRED - PROVIDED



ADJUSTABLE WRENCH
REQUIRED - NOT PROVIDED

MATERIALS

- a. Vertical Post
- b. Vertical Extrusion
- c. Panel
- d. Horizontal Extrusion
- e. L-Channel Extrusion



NOTE: While these instructions show a 12'x16' Room with style 1 walls, the steps will apply for all Rooms. Please reference your specific project notes for order specific information.

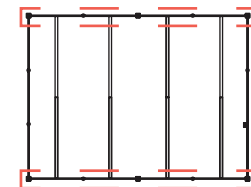
BEFORE YOU BEGIN

- Mark off your space. Referencing your project notes, ensure you have the proper space to build your Room.
- Understand your panel layout. While panels can be moved after the Room is assembled, some deconstruction is required.
- Understand your cross-beam locations. Supporting cross-beams must run perpendicular to L channel extrusion.

TOP VIEW:

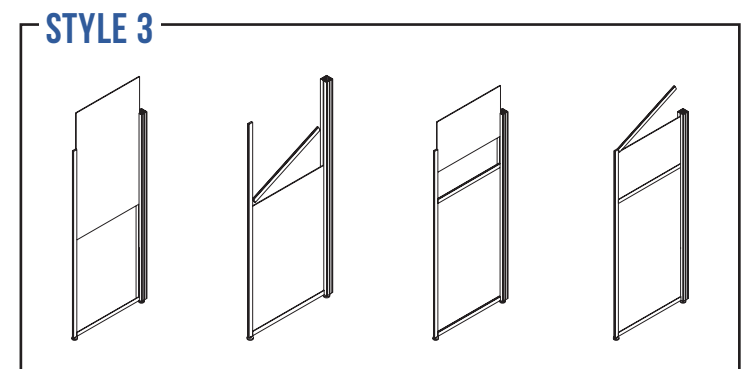
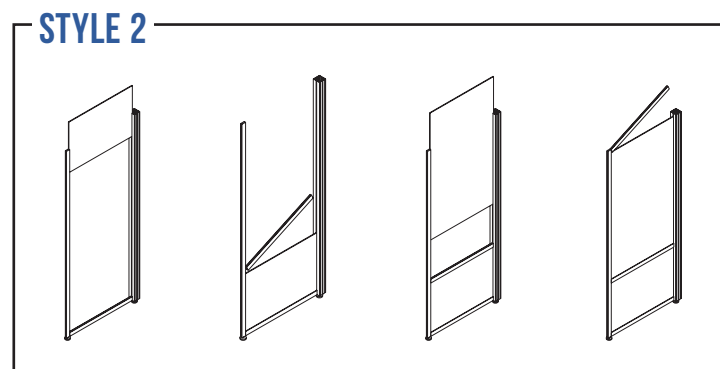
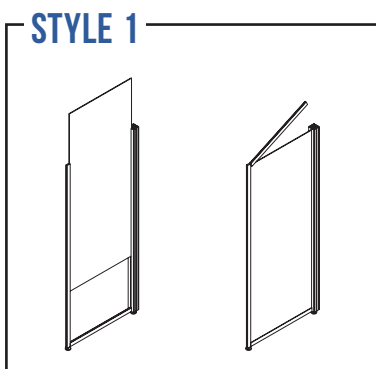
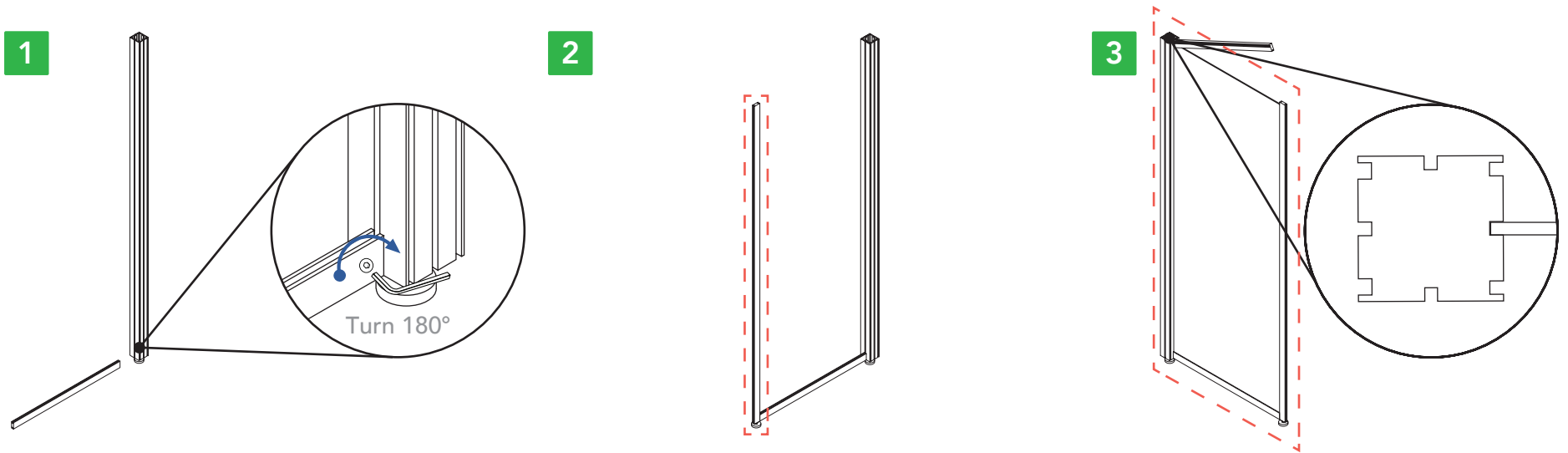


L Channel



ASSEMBLING THE FIRST WALL

1. Starting in a corner. Person-1 holds the square 3" x 3" vertical post with attached leveling foot (approx. 90" H) upright while Person-2 locks the first horizontal extrusion.
2. Person-2 will connect the adjoining vertical extrusion (approx. 90"H to match 3" x 3" vertical post) and locks into the bottom horizontal extrusion. Check the level of the horizontal extrusion prior to moving on to inserting panels. Extrusion should be level with bottom of 3" x 3" vertical post.
3. Person-1 should now hold both the vertical extrusion and the vertical post while Person-2 inserts panels from above. The number of panels and horizontal extrusions will depend on the wall style selected by the customer. See examples of each style at the bottom of this page!

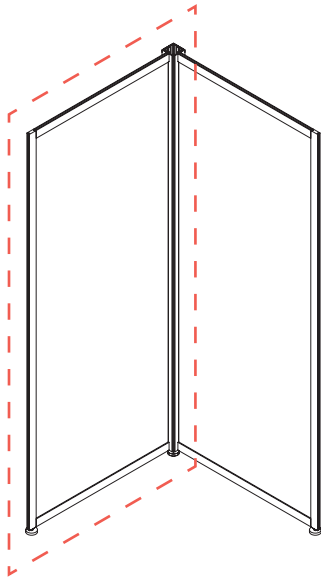


BUILDING OUT THE SIDES

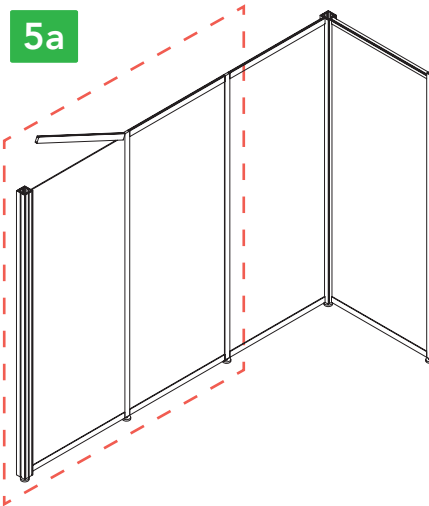
4. While securely holding the previously built wall, steps 1 - 3 should be repeated on a perpendicular wall. This corner will provide stability that allows you to create longer runs.

5. (a-d) Once a corner is created, continue building the sides of the Room. Note the "Before You Build Your Room" section on using the proper top extrusion piece based on the location of your cross-beams. Additionally, any run of 4 or more walls will need to be split by a square 3" x 3" vertical post.

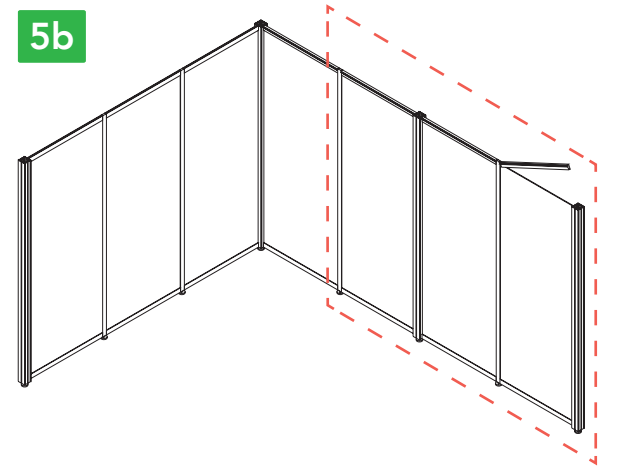
4



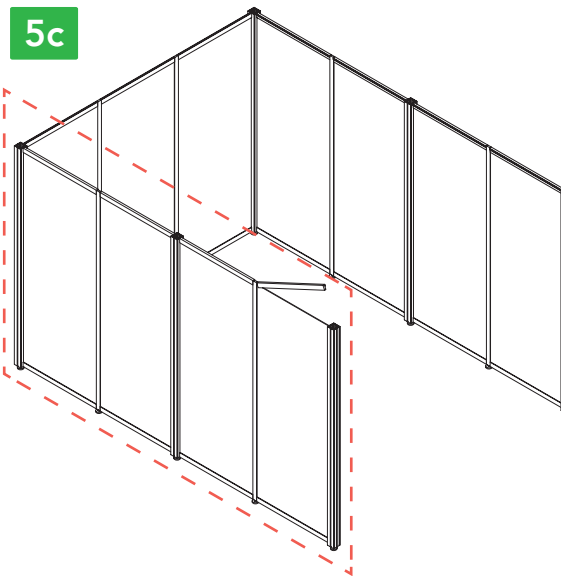
5a



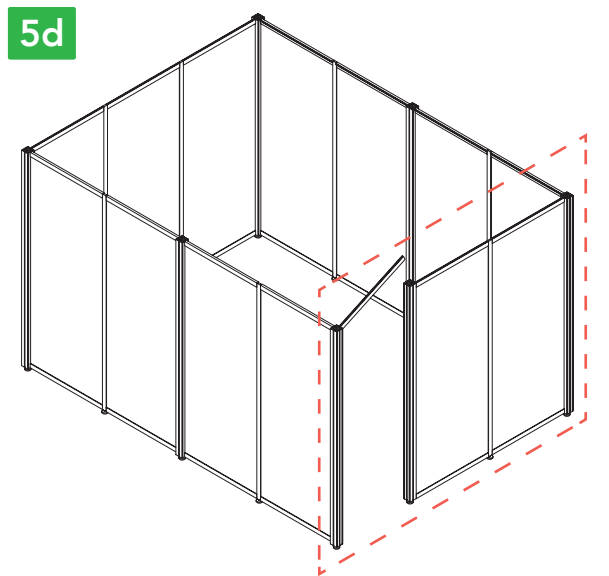
5b



5c



5d



IMPORTANT NOTE:

- If your room includes a door do not apply the upper extrusion over the entry nor the panel next to the opening (Skip step 5d).

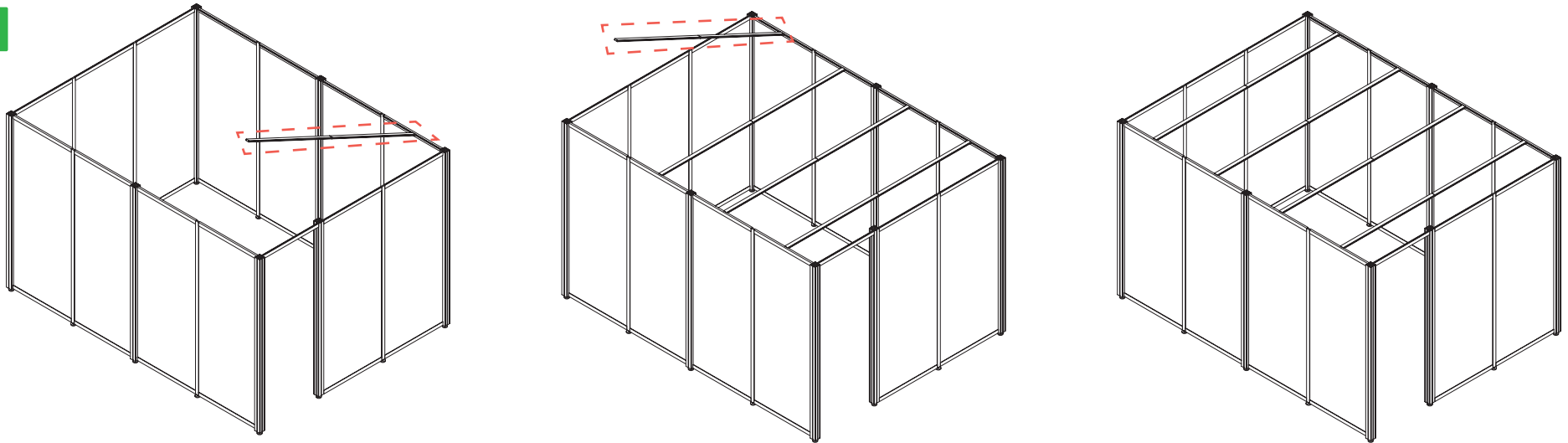
LAYING THE CROSS-BEAMS

6. Starting at one of the outside edges of the Room, begin locking the overhead cross-beams into place. For maximum stability, these cross-beams should be placed halfway between each wall width.

NEXT STEPS

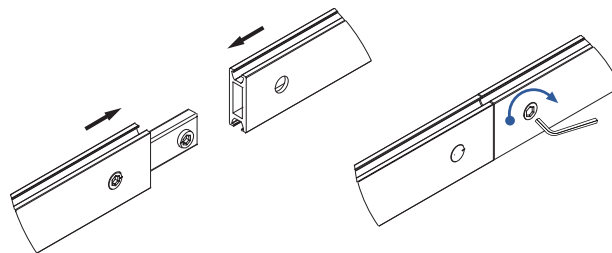
- You've now completed the main part of Rooms installation. If your plan does not include doors: cheers, your job is done!
- If your plan does include doors continue to the next page for your next directions.

6



CROSS-BEAM LOCKING

- To effectively reach across your room make sure to lock the cross beam extrusions together by inserting the extension and lining it up with the hole on the receiving extrusion.
- Tighten the pair and lock them with an allen wrench.



DOORS

ROOMS ASSEMBLY GUIDE

LOFTWALL

PREREQUISITES



TWO PEOPLE
REQUIRED - NOT PROVIDED



ALLEN WRENCH
REQUIRED - PROVIDED



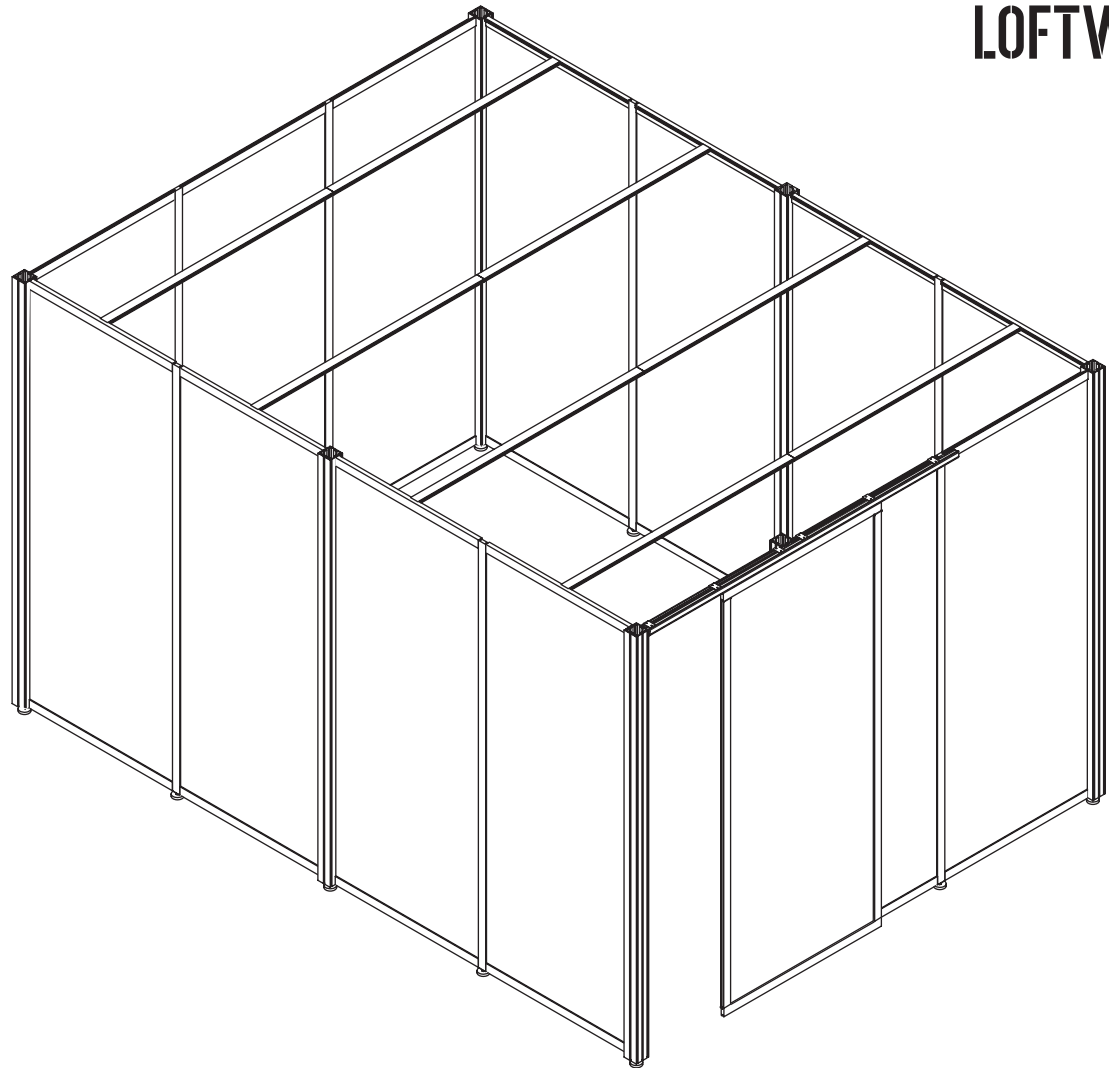
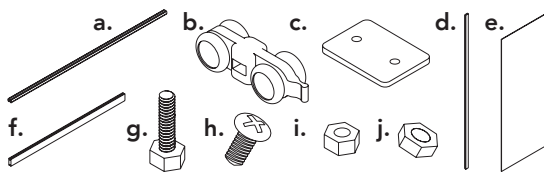
ADJUSTABLE WRENCH
REQUIRED - NOT PROVIDED



SCREWDRIVER
REQUIRED - NOT PROVIDED

MATERIALS

- | | | |
|--------------------|------------|-------------------|
| a. Glide Track | b. Trolley | c. Bracket |
| d. Vert. Extrusion | e. Panel | f. Hor. Extrusion |
| g. Bolt | h. Screw | i. Screw Nut |
| j. Nut | | |

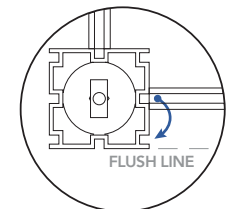


NOTE: While these instructions show a 12'x16' Room with style 1 walls, the steps will apply for all Rooms. Please reference your specific project notes for order specific information.

BEFORE YOU BEGIN

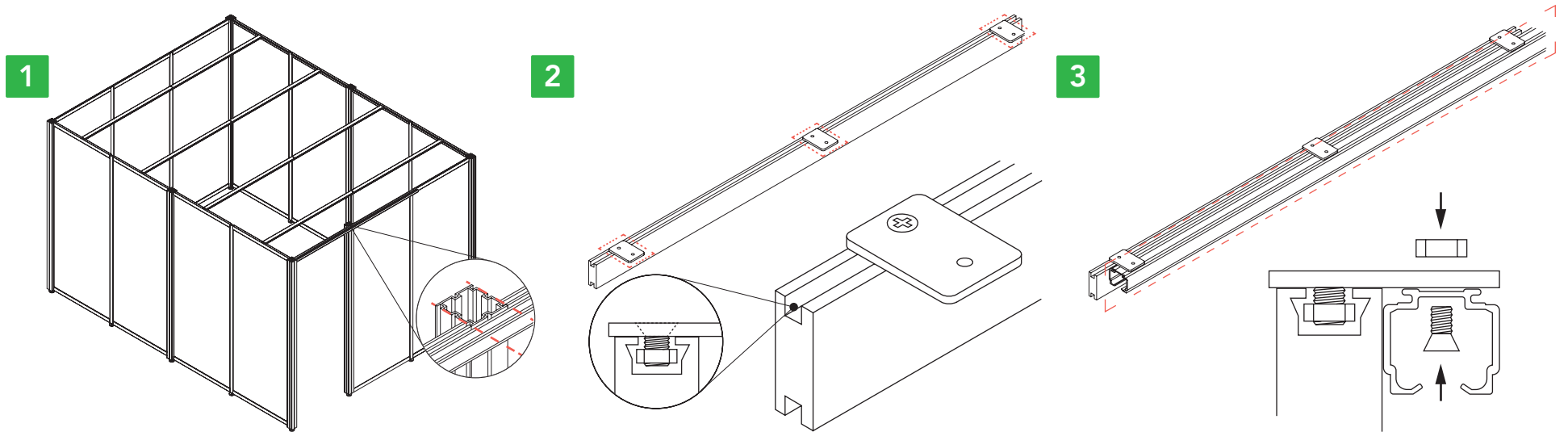
- To incorporate and attach the door to Rooms we must first adjust the wall(s), that share the side with the opening by detaching them from the center channel and reattaching them to the outward most facing channel.
- The goal is to create a wall that is flush with the post for the door to slide seamlessly.

ZOOMED, TOP VIEW:



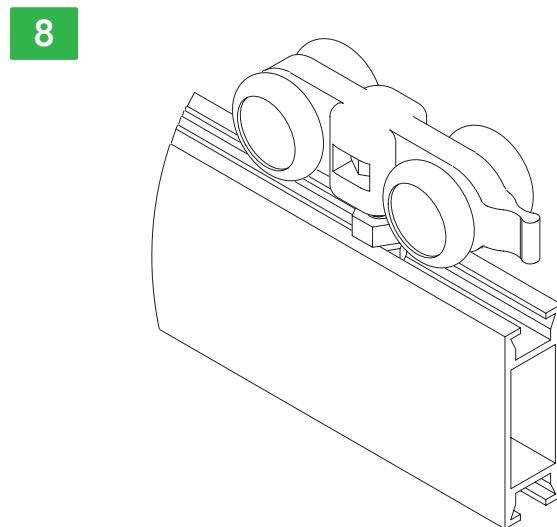
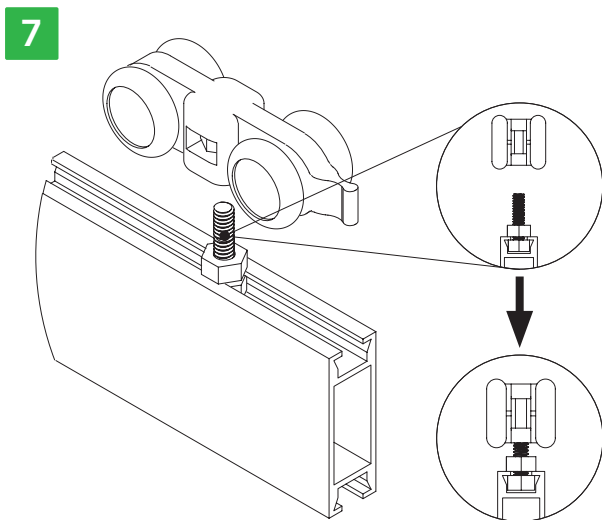
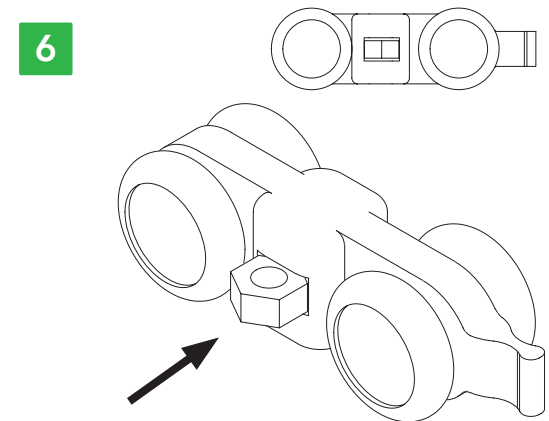
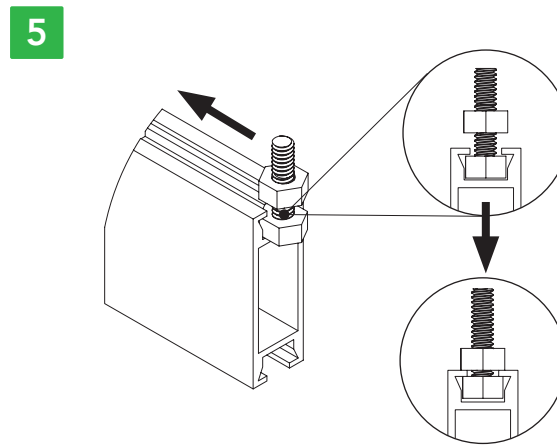
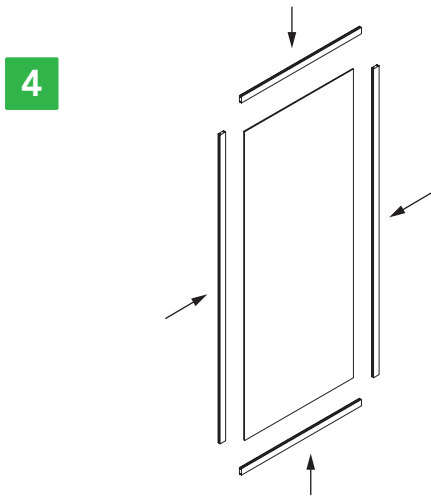
PREPARING THE GLIDE TRACK

1. Align the glide track to fall flush with the inside edge of the post and mark on the glide track where the extrusion and posts meet. Now that you have marked where each extrusion meets its post, bring the glide track and top extrusion down to your work area.
2. Screw into the beveled side of the bracket using a screw and bolt. **DO NOT FULLY TIGHTEN.** Slide brackets into extrusion using the screw and bolts attached.
3. Align the brackets with the holes on the glide track, typically three per extrusion, then screw from the bottom up and tighten it with a bolt. Once those screws and bolts are set tighten the screws going into the extrusion.



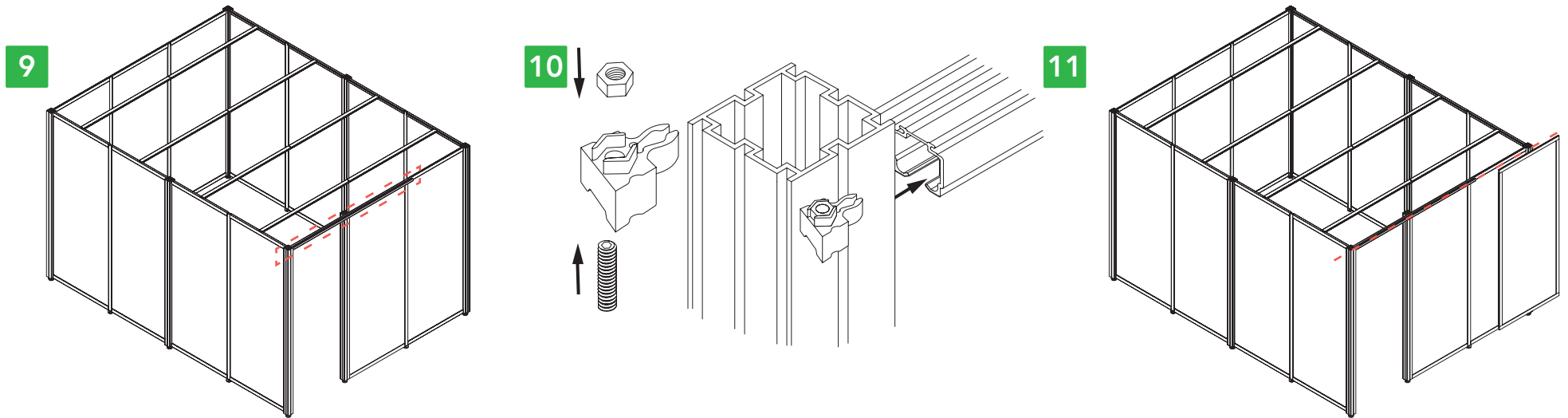
PREPARING THE DOOR & TROLLEY

4. Like the walls in rooms, build your door using: one panel, and four extrusions; two short lengths for the top and bottom and two longer for the sides. Tighten them using the allen wrench. Keep an eye out for the extrusion used to open your door.
5. Slide the head of the bolt into the top extrusion channel and loosely screw the nut in to allow for movement and adjustment. Bolts should be about two inches from each edge then secure the bolt by tightening the nut.
6. Slide a nut into the opening of the trolley and line up the openings.
7. Screw in the trolley to the bolt attached to the top of the extrusion.
8. At this point you should have two trolleys attached to the top of your door.



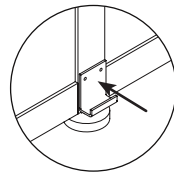
ATTACHING TRACK AND DOOR

9. Now that the trolleys are on the top of the door, re-attach the extrusion that is connected to the track and secure it to the room.
10. Slide in one door stop into the track with the nut already placed on the top of the door stop. Tighten the stop to the bracket by using the allen wrench to screw the bolt upward, tightly into the track.
11. Raise the door and guide the trolley's into the track.
12. Repeat step 10. Be sure to position the stop according to where you would like the door to stop.



DON'T FORGET!

- As the last step in this build, don't forget to attach the lower bracket to help guide the door.



BAFFLES

ROOMS ASSEMBLY GUIDE

PREREQUISITES



TWO PEOPLE
REQUIRED - NOT PROVIDED



ALLEN WRENCH
REQUIRED - PROVIDED



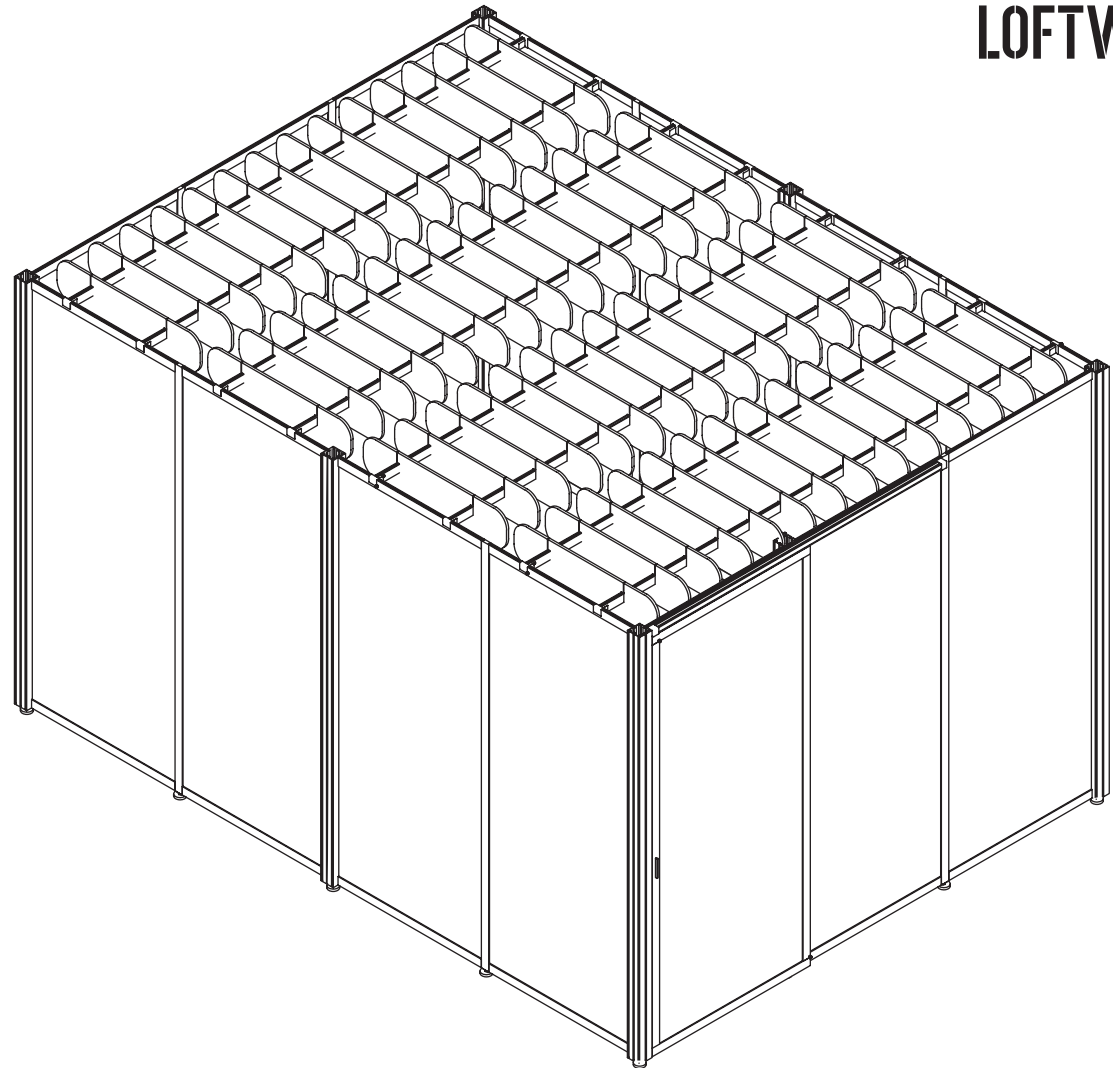
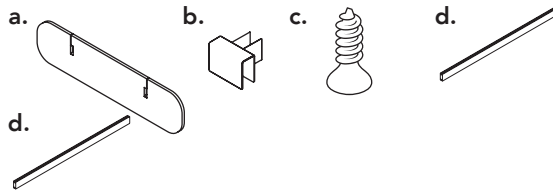
ADJUSTABLE WRENCH
REQUIRED - NOT PROVIDED



POWER DRILL
REQUIRED - NOT PROVIDED

MATERIALS

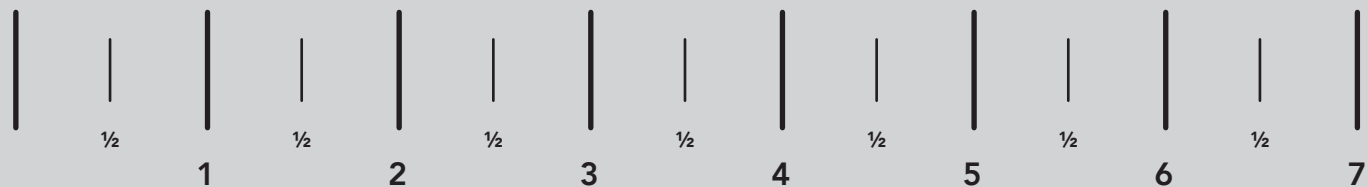
- a. Baffle
- b. Bracket
- c. Self-Tapping Screws
- d. Baffle Cross-Beams
- e. Top Extrusion



NOTE: If the Room has been built to completion without the baffles the builder will need to remove the crossbeams and the L-Channel Extrusion and use the top-extrusion included for the baffles.

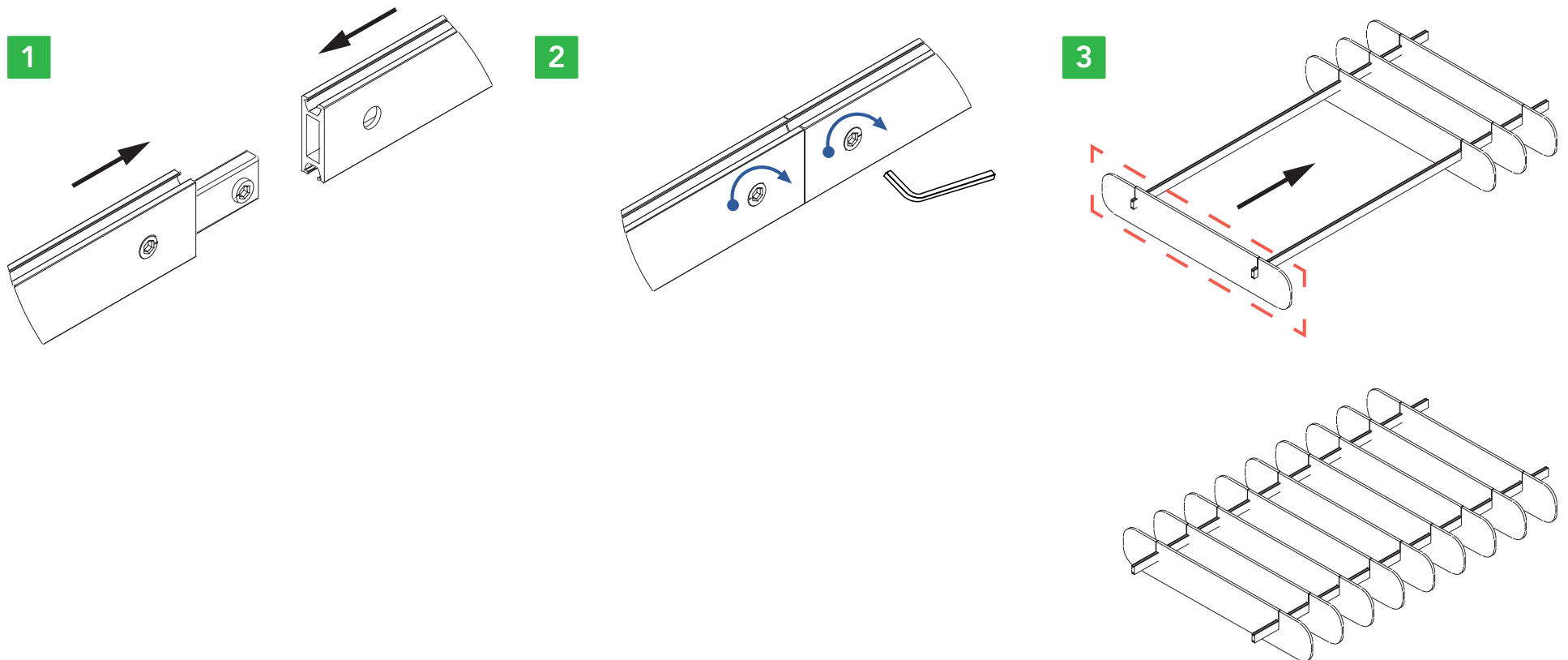
MEASURING THE GAP

There should be a 7" gap between each baffle for optimal aesthetics and acoustic. Use this ruler to easily measure your gap.



ASSEMBLING THE FIRST WALL

1. If baffle extrusion is longer than 8', assemble the two extrusions using the in-line lock. Line crossbeams up before inserting lock.
2. Lock the beams together by tightening the cam locks a full 180°.
3. Once you've run out of crossbeams to join pair them together and begin sliding the baffle onto the beams through the cutout holes. Be sure to leave 7-inches of space between each baffle. You can use the ruler on the first page of the baffle instructions.



ASSEMBLING THE FIRST WALL

4. Once all baffles have been attached to the crossbeams and appropriately spaced attach brackets to the end of each crossbeam.
5. Using the self-tapping screws attach a bracket to the end of each cross beam as shown in figure 5.
6. Place each set of baffles making sure they are centered to each extrusion and look visually appealing.
7. Lastly, once each set of baffles is placed, use the self-tapping screws to attach them to the top extrusions.

