

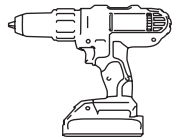
# ARBOR

## wall mounting

### Models

Arbor is available in two depths - Arbor and Arbor Slim - with different thicknesses that have a substantial impact on the acoustics of a space. Arbor measures 21mm, while Arbor Slim is a more compact option at 10mm. This mounting guide applies to both models.

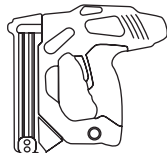
### Tools



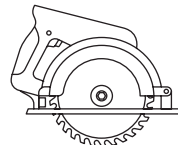
**Power Drill**  
(Not Included)



**Construction Adhesive**  
(Not Included)



**Nail Gun with Finishing Nails**  
(Not Included)



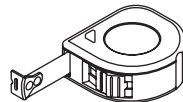
**Circular Saw**  
(Not Included)



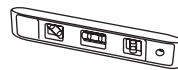
**Box Cutter**  
(Not Included)



**Pliers**  
(Not Included)



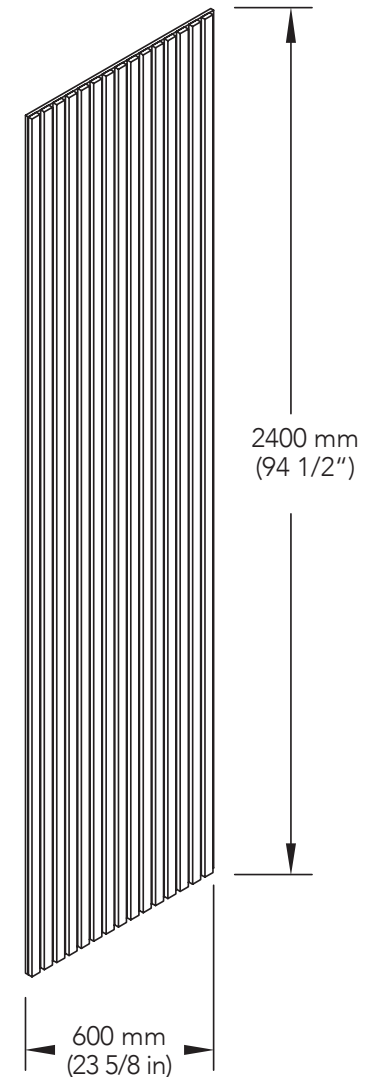
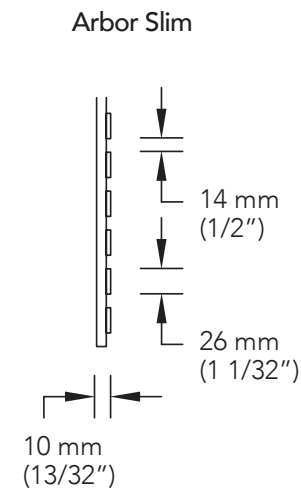
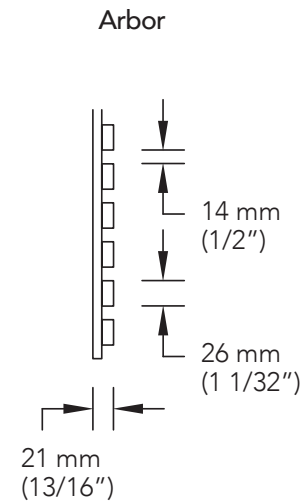
**Tape Measure**  
(Not Included)



**Level**  
(Not Included)

### More Help

For more information, visit us at [www.loftwall.com/arbor](http://www.loftwall.com/arbor) or scan the QR Code to the right.

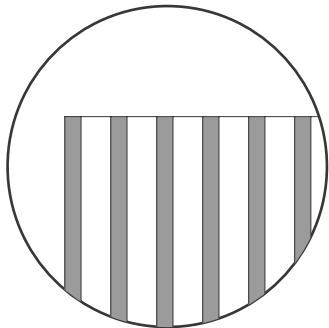


# Arbor contents

<b>Arbor on the Wall</b>	<b>direct wall mounting</b>		<b>Arbor on the Ceiling</b>	<b>direct ceiling mounting</b>	
	screws .....	3-4		screws .....	10-11
	adhesive .....	5-6	<b>t-grid</b>		
	<b>wall mounting</b>		screws .....	12-13	
furring strips .....	7-8	drop-tiles .....	14-15		

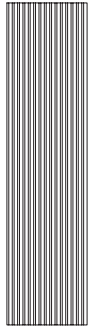
**Note**

This mounting guide provides illustrations of Arbor represented like the image featured on this page. Be aware that the gray areas in the illustration represent the acoustic felt backer and the white areas represent the wood veneer.

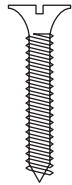


# Arbor direct wall mounting, screws

## Parts List



Arbor  
Panel



1.25" Black  
Drywall Screws  
(Not Included)



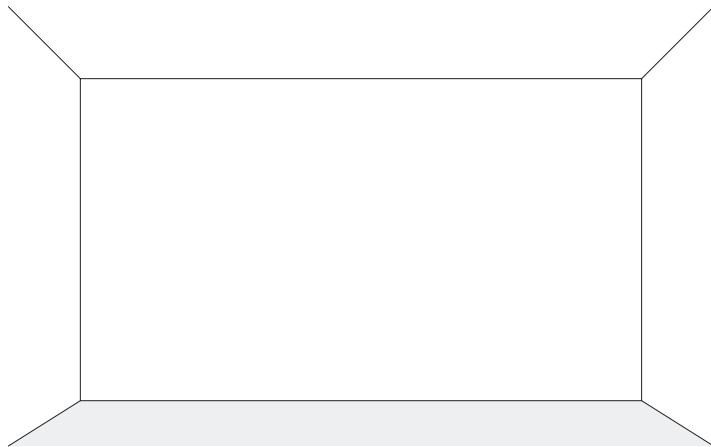
Wall Anchors  
(Not Included)

## Tips

- Measure multiple points on the wall with a level, accounting for irregularities.
- Using decorative framing, such as molding, can help offset irregular or an uneven wall surface.
- Arbor looks best when installed with no gaps between ends or rows.
- Screws or nails should always be placed through acoustic felt backer.

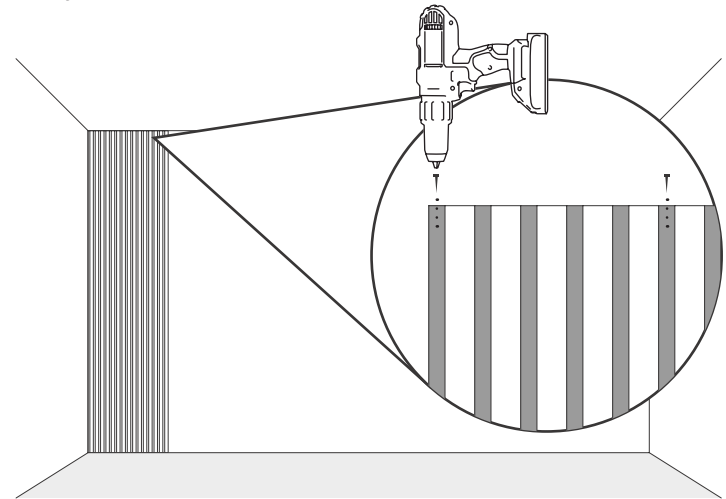
## Step 1

To begin, prepare the wall. Clean it thoroughly and remove anything that might get in the way, such as screws or nails. Determine the size of the wall by measuring its dimensions.



## Step 2

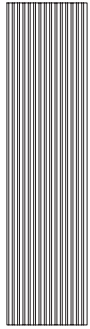
Using screws secure Arbor to the wall, making sure to drill through the acoustic felt backer and not the wood veneer. Place each screw every 16" to 24".



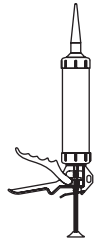


# Arbor direct wall mounting, adhesive

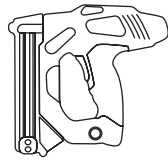
## Parts List



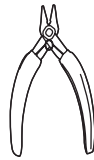
Arbor Panel



Construction Adhesive  
(Not Included)



Nail Gun with Finishing Nails  
(Not Included)



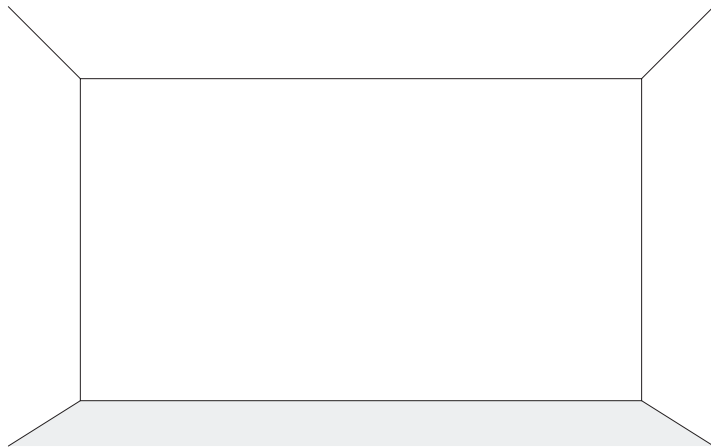
Pliers  
(Not Included)

## Tips

- Measure multiple points on the wall with a level, accounting for irregularities.
- Using decorative framing, such as molding, can help offset irregular or an uneven wall surface.
- Arbor looks best when installed with no gaps between ends or rows.
- Screws or nails should always be placed through acoustic felt backer.

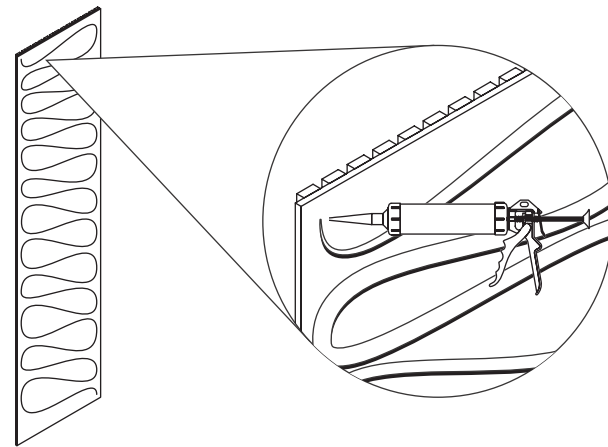
## Step 1

To begin, prepare the wall. Clean it thoroughly and remove anything that might get in the way, such as screws or nails. Determine the size of the wall by measuring its dimensions.



## Step 2

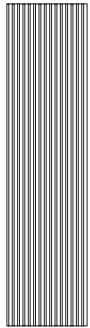
Apply **Construction Adhesive** to the backside of each Arbor panel.



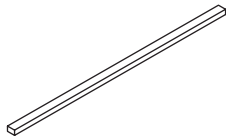


# Arbor wall mounting, furring strips

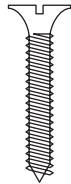
## Parts List



Arbor Panel



Furring Strips  
7/8" or 2" Thick  
(Not Included)



1.25" Black  
Drywall Screws  
(Not Included)



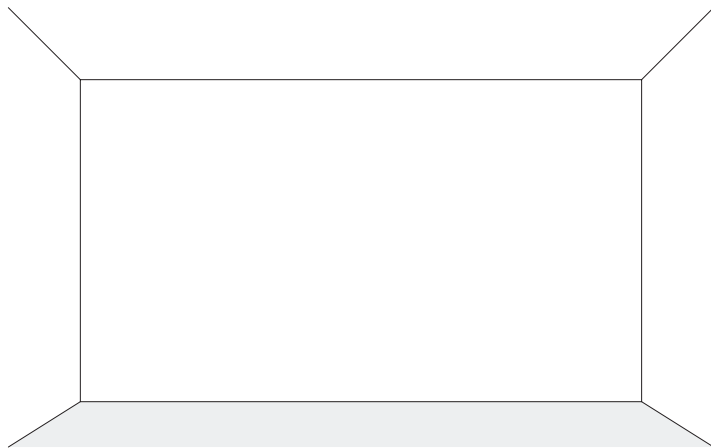
Wall Anchors  
(Not Included)

## Tips

- Measure multiple points on the wall with a level, accounting for irregularities.
- Using decorative framing, such as molding, can help offset irregular or an uneven wall surface.
- Arbor looks best when installed with no gaps between ends or rows.
- Screws or nails should always be placed through acoustic felt backer.

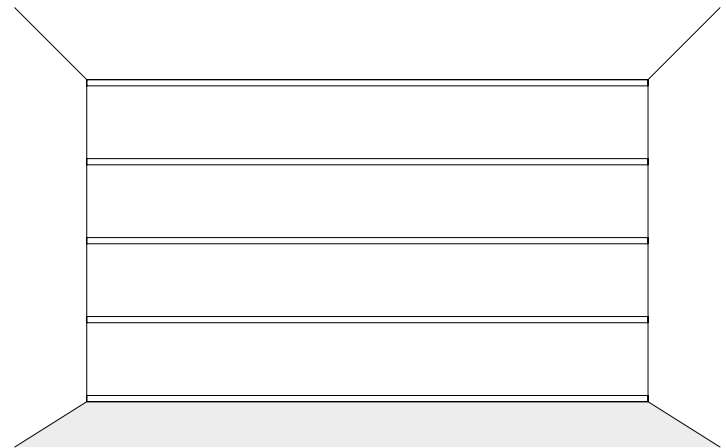
## Step 1

To begin, prepare the wall. Clean it thoroughly and remove anything that might get in the way, such as screws or nails. Determine the size of the wall by measuring its dimensions.



## Step 2

Attach the furring strips to the wall every 24", creating a framework for Arbor to attach to. Furring strips should always hang in the counter direction of the Arbor panels.





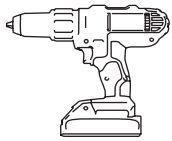


# ARBOR

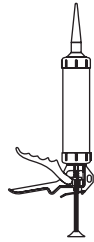
## ceiling mounting

**Models** Arbor is available in two depths - Arbor and Arbor Slim - with different thicknesses that have a substantial impact on the acoustics of a space. Arbor measures 21mm, while Arbor Slim is a more compact option at 10mm. This mounting guide applies to both models.

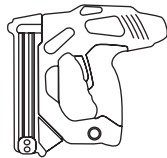
## Tools



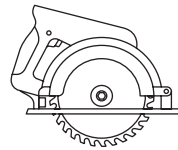
**Power Drill**  
(Not Included)



**Construction Adhesive**  
(Not Included)



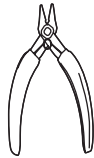
**Nail Gun with Finishing Nails**  
(Not Included)



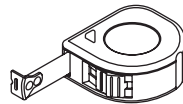
**Circular Saw**  
(Not Included)



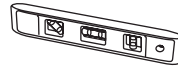
**Box Cutter**  
(Not Included)



**Pliers**  
(Not Included)



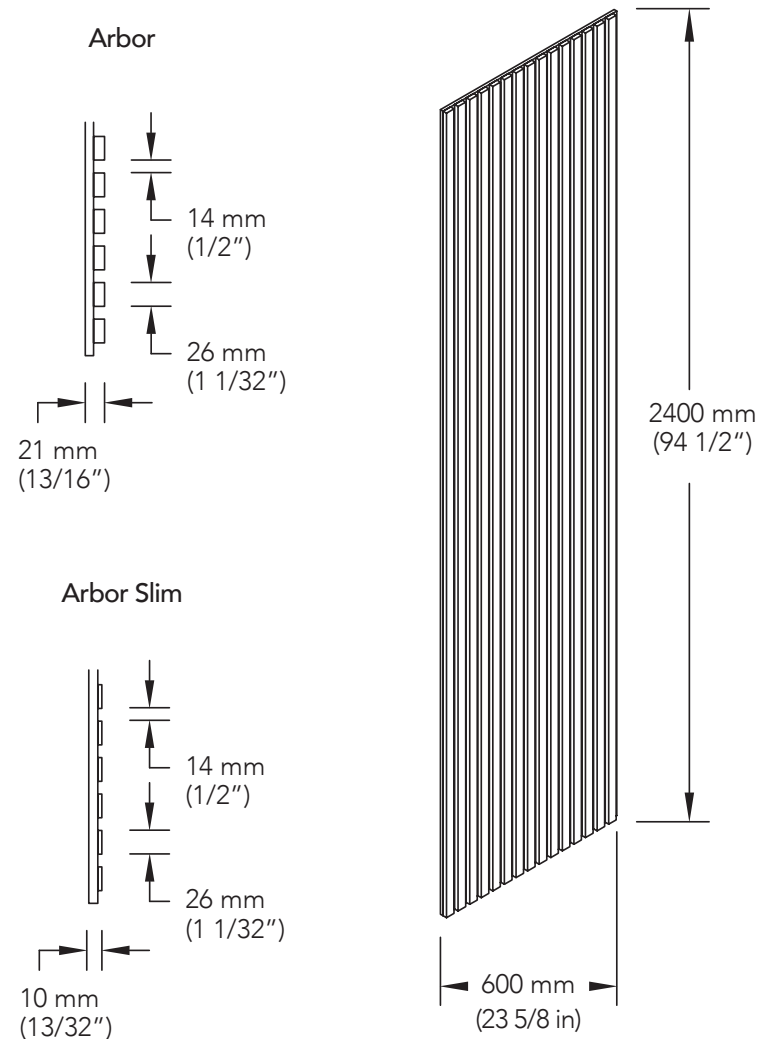
**Tape Measure**  
(Not Included)



**Level**  
(Not Included)

## More Help

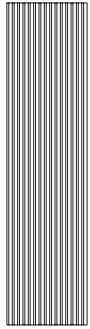
For more information, visit us at [www.loftwall.com/arbor](http://www.loftwall.com/arbor) or scan the QR Code to the right.



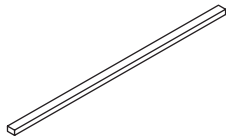
**Warning** It is important to utilize the correct screws for each relevant wall or ceiling surface. Screws are not provided. Screws should be able to support 40 lbs of weight. For a clean finish, use screws that match the color of the acoustic felt backer.

# Arbor direct ceiling mounting, screws

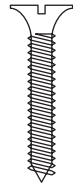
## Parts List



Arbor Panel



Furring Strips  
7/8" or 2" Thick  
(Not Included)



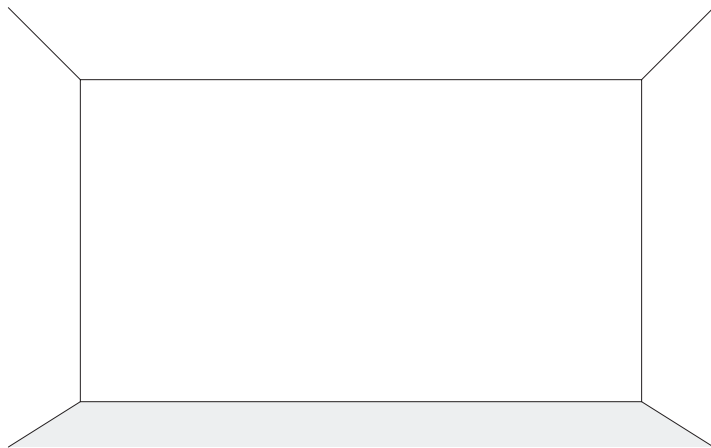
1.25" Black  
Screws  
(Not Included)

## Tips

- Measure multiple points on the wall with a level, accounting for irregularities.
- Using decorative framing, such as molding, can help offset irregular or an uneven wall surface.
- Arbor looks best when installed with no gaps between ends or rows.
- Screws or nails should always be placed through acoustic felt backer.

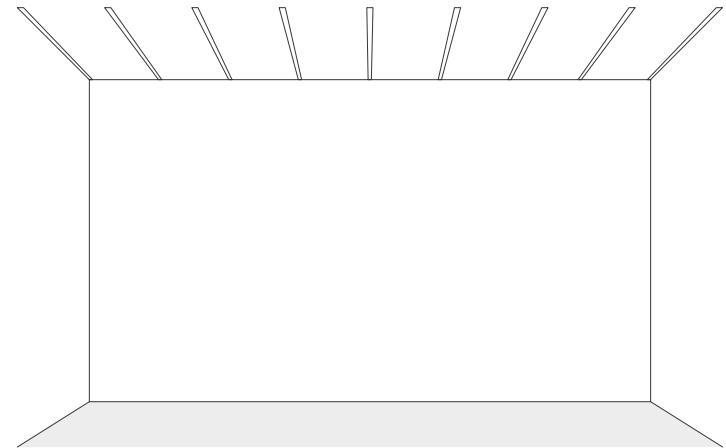
## Step 1

To begin, prepare the ceiling. Clean it thoroughly and remove anything that might get in the way, such as screws or nails. Determine the size of the wall by measuring its dimensions.

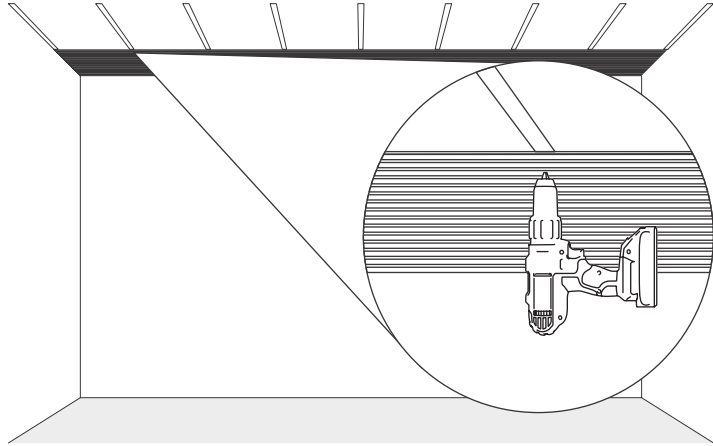


## Step 2

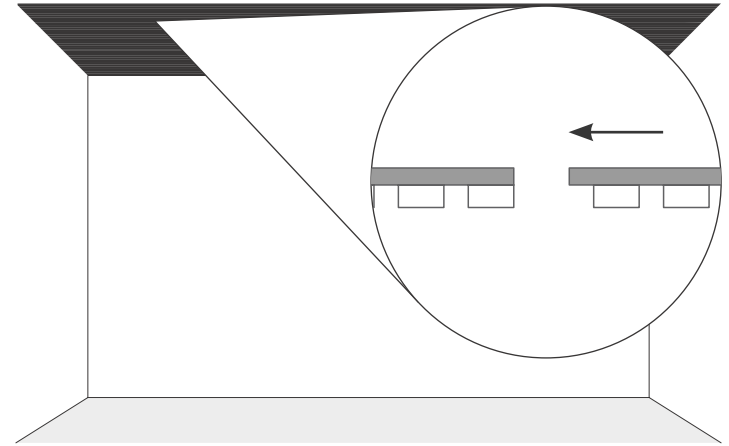
Using a screwdriver, attach the furring strips to the ceiling every 24", creating a framework for Arbor to attach to. Furring strips should always hang in the counter direction of the Arbor panels.



**Step 3** Using screws secure Arbor to the furring strips, making sure to drill through the acoustic felt backer and not the wood veneer. Place each screw every 16" to 24".



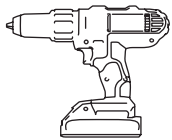
**Step 4** Repeat step three, making sure that each Arbor panel is oriented the same way vertically; i.e. if PET is on the left then each panel that follows should have PET on the left.



### Cutting Arbor

Arbor will often need to be cut to fit a chosen wall/space. Here is a list of best practices when cutting Arbor:

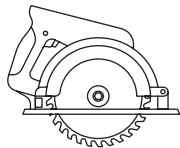
- Use a **Box Cutter** to cut through the acoustic felt backer and a **Circular Saw** when cutting through the wood veneer.
- To prevent the wood veneer from splintering use **Masking Tape**.
- Reattach wooden slats to the acoustic felt backer backing with **0.5" Screws** from the back of the panel after making cuts.



**Power Drill**  
(Not Included)



**Box Cutter**  
(Not Included)



**Circular Saw**  
(Not Included)



**0.5" Screw**  
(Not Included)

### Notes

---

---

---

---

---

---

---

---

---

---

---

---

---

---

---

---

---

---

---

---

---

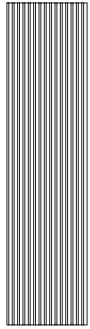
---

---

---

# Arbor t-grid ceiling mounting, screws

## Parts List



Arbor  
Panel

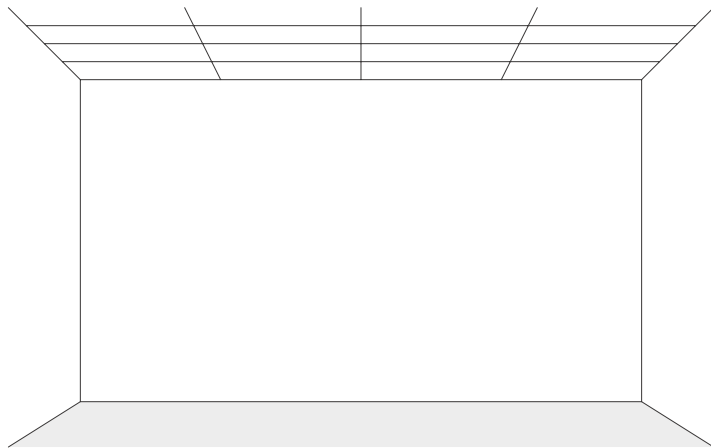


.75" Black Sheet  
Metal Screws  
(Not Included)

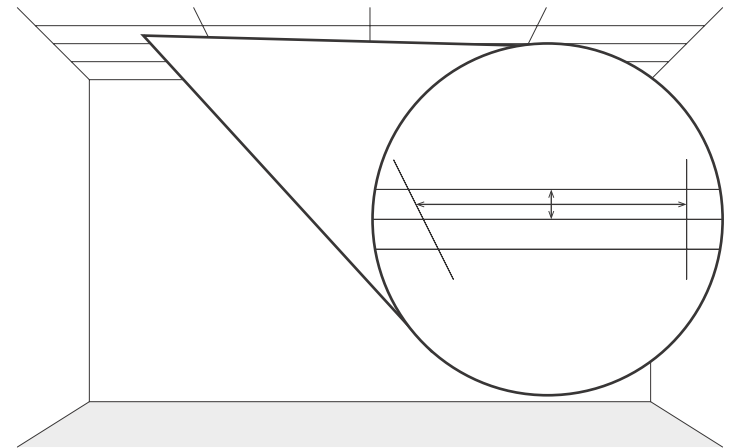
## Tips

- Measure multiple points on the wall with a level, accounting for irregularities.
- Using decorative framing, such as molding, can help offset irregular or an uneven wall surface.
- Arbor looks best when installed with no gaps between ends or rows.
- Screws or nails should always be placed through acoustic felt backer.

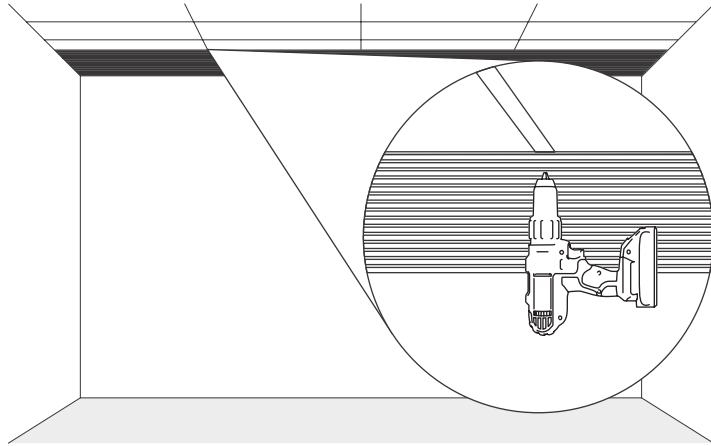
**Step 1** Begin by removing all existing ceiling tiles.



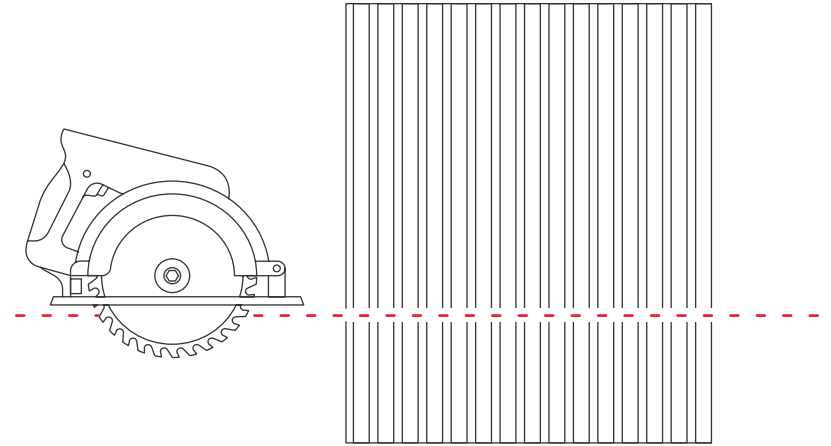
**Step 2** Using a measuring tape, take note of the dimensions of the t-grid, making sure you know the length and width of the frame.



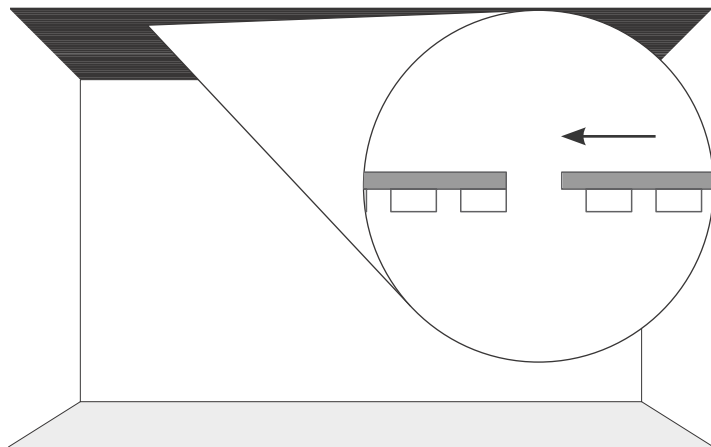
**Step 3** Begin hanging Arbor, making sure to drill through the black acoustic backing and into the frame.



**Step 4** If your ceiling requires cutting, measure the space that is required to fill and cut from the excess panels. Be sure to read the section about cutting Arbor before beginning.



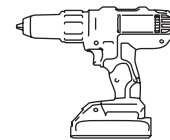
**Step 5** Be sure as you hang the panels that each one is oriented the same way horizontally; i.e. if the acoustic backing is on the left then each panel that follows should have acoustic felt backer on the left.



### Cutting Arbor

Arbor will often need to be cut to fit a chosen wall/space. Here is a list of best practices when cutting Arbor:

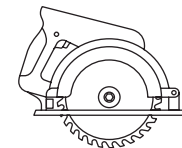
- Use a **Box Cutter** to cut through the acoustic felt backer and a **Circular Saw** when cutting through the wood veneer.
- To prevent the wood veneer from splintering use **Masking Tape**.
- Reattach wooden slats to the acoustic felt backer backing with **0.5" Screws** from the back of the panel after making cuts.



**Power Drill**  
(Not Included)



**Box Cutter**  
(Not Included)



**Circular Saw**  
(Not Included)

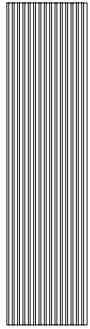


**0.5" Screw**  
(Not Included)

# Arbor Slim t-grid ceiling, drop-tiles

**Warning** Be aware that this mounting application only applies to installs for Arbor Slim.

## Parts List

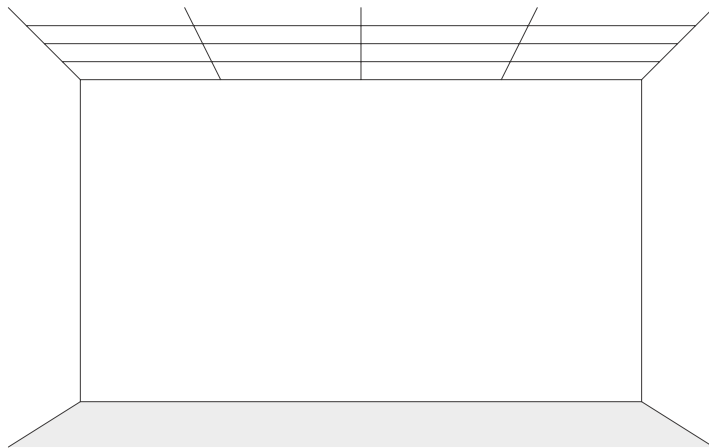


Arbor Slim  
Panel

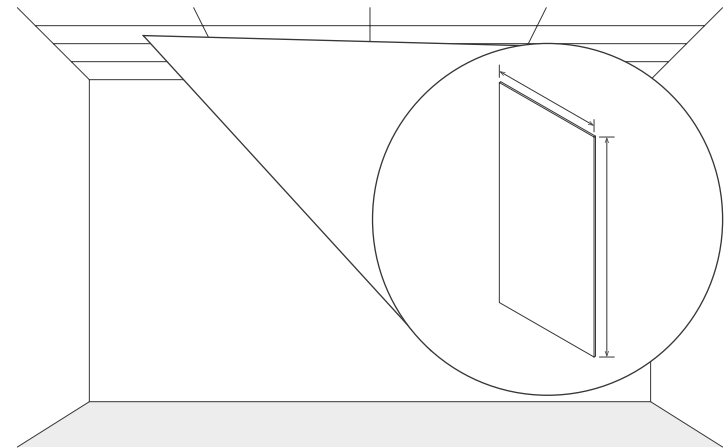
## Tips

- Measure multiple points on the wall with a level, accounting for irregularities.
- Using decorative framing, such as molding, can help offset irregular or an uneven wall surface.
- Arbor looks best when installed with no gaps between ends or rows.
- Screws or nails should always be placed through acoustic felt backer.

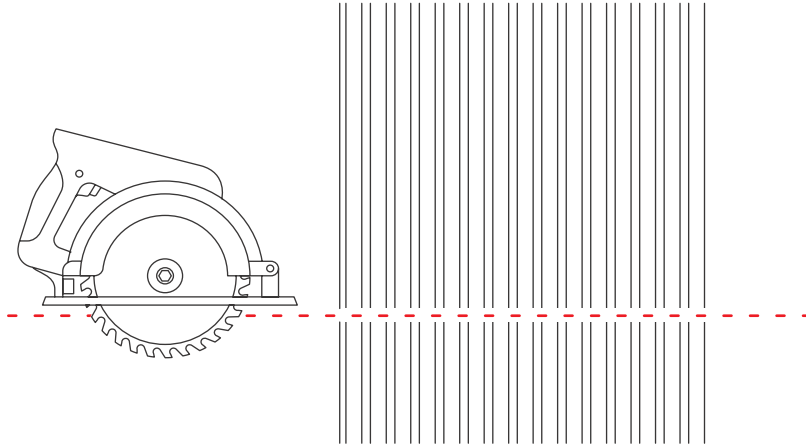
**Step 1** Begin by removing all existing ceiling tiles.



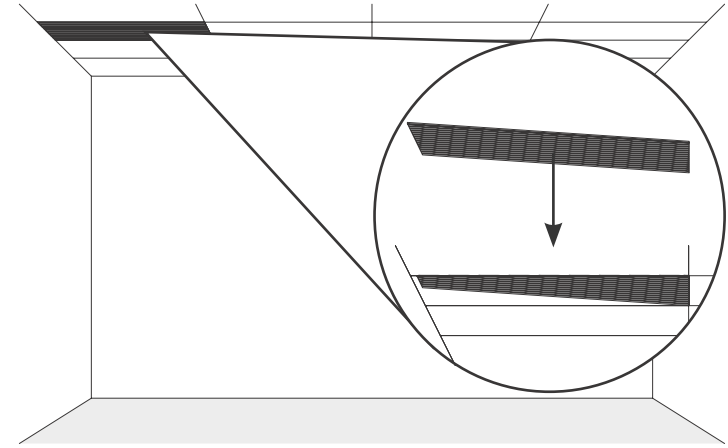
**Step 2** Using a measuring tape, take note of the dimensions of the t-grid, making sure you know the length and width of the frame.



**Step 3** Cut Arbor Slim panels to the measured dimensions of the ceiling tiles. Be sure to read the section about cutting Arbor before beginning.



**Step 4** Drop the cut Arbor Slim panels into the t-grid squares in the ceiling. Each panel should rest comfortably on the frame.



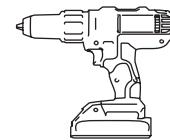
**Step 5** Continue step 4 until all tiles have been filled with Arbor Slim.



### Cutting Arbor

Arbor will often need to be cut to fit a chosen wall/space. Here is a list of best practices when cutting Arbor:

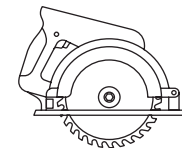
- Use a **Box Cutter** to cut through the acoustic felt backer and a **Circular Saw** when cutting through the wood veneer.
- To prevent the wood veneer from splintering use **Masking Tape**.
- Reattach wooden slats to the acoustic felt backer backing with **0.5" Screws** from the back of the panel after making cuts.



**Power Drill**  
(Not Included)



**Box Cutter**  
(Not Included)



**Circular Saw**  
(Not Included)



**0.5" Screw**  
(Not Included)