

TEMPO

CEILING INSTALL GUIDE

LOFTWALL

PREREQUISITES

 **TWO PEOPLE**
REQUIRED - NOT PROVIDED

 **POWER DRILL**
REQUIRED - NOT PROVIDED

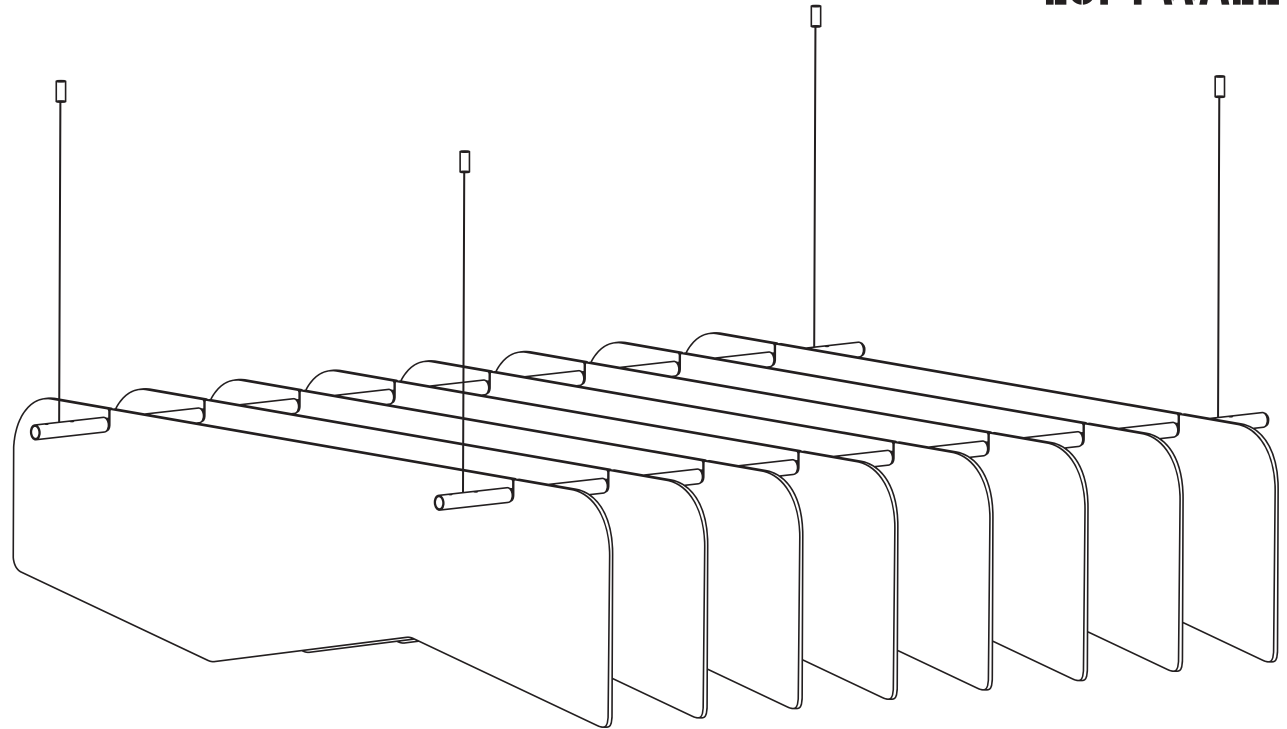
 **CONSTRUCTION LEVEL**
REQUIRED - NOT PROVIDED

 **WIRE CUTTERS**
REQUIRED - NOT PROVIDED

 **CRIMPER**
REQUIRED - NOT PROVIDED

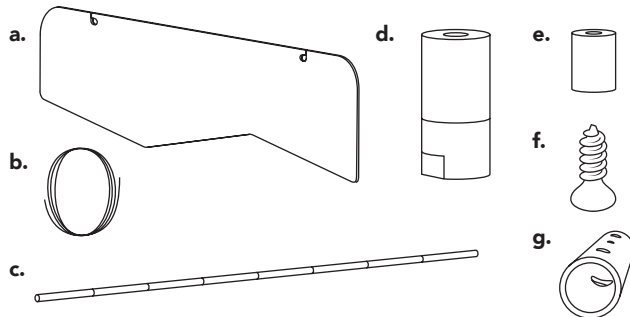
 **LADDER**
REQUIRED - NOT PROVIDED

 **MEASURING TAPE**
REQUIRED - NOT PROVIDED



MATERIALS

- a. Panels
- b. Wire
- c. Dowel Rod
- d. Ceiling Couplers
- e. Copper Sleeve
- f. Self-Tapping Screws
- g. Rod Coupler

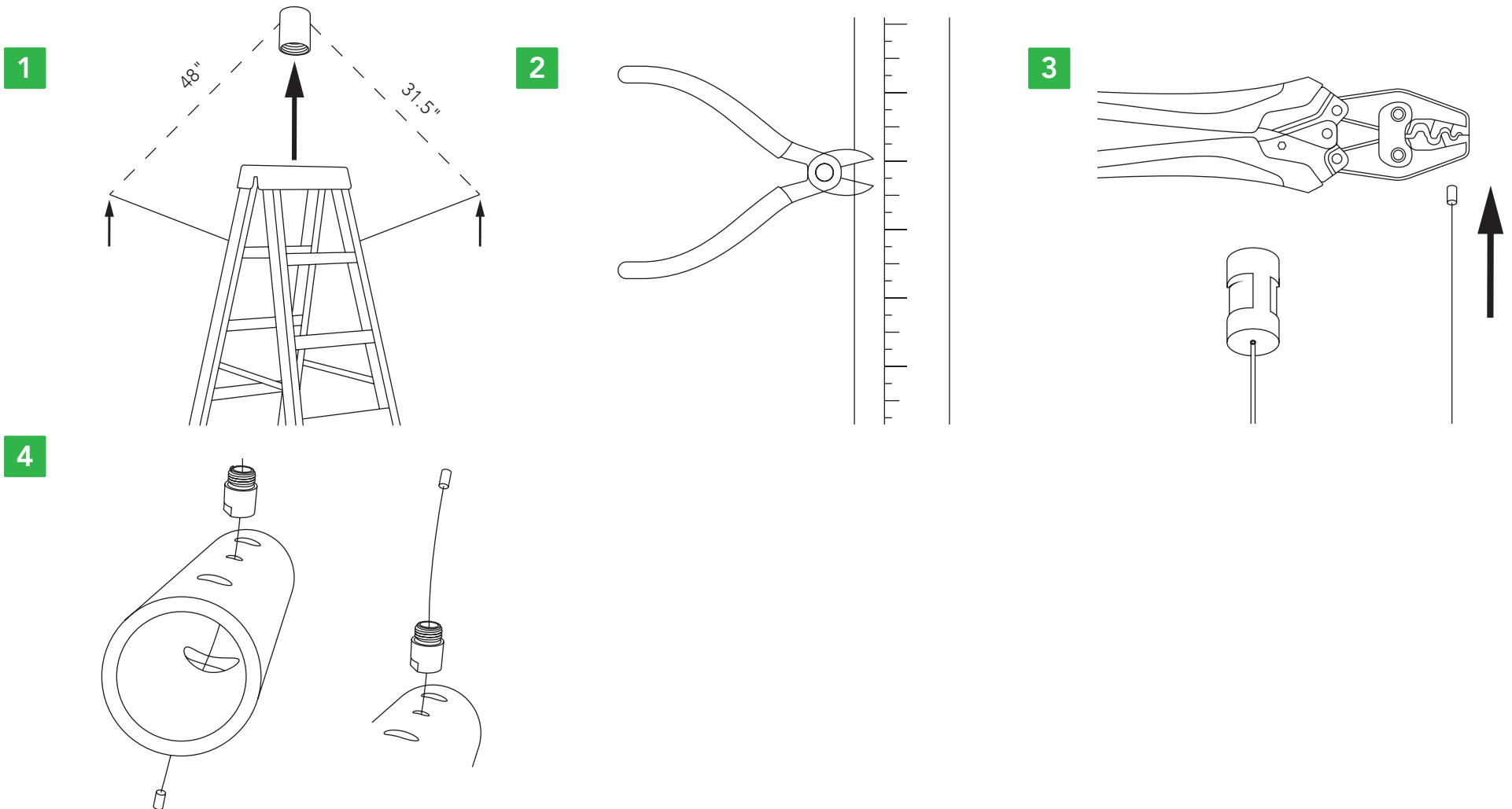


BEFORE BEGINNING

- If your build includes more than one Tempo be sure to study page 4 for build typicals and notes on how each one attaches to the other.
- Because ceiling material varies from project to project, Loftwall does not supply the needed screws/bolts to attach to your specified ceiling; be sure to use appropriate weight bearing solutions to hang each Tempo.

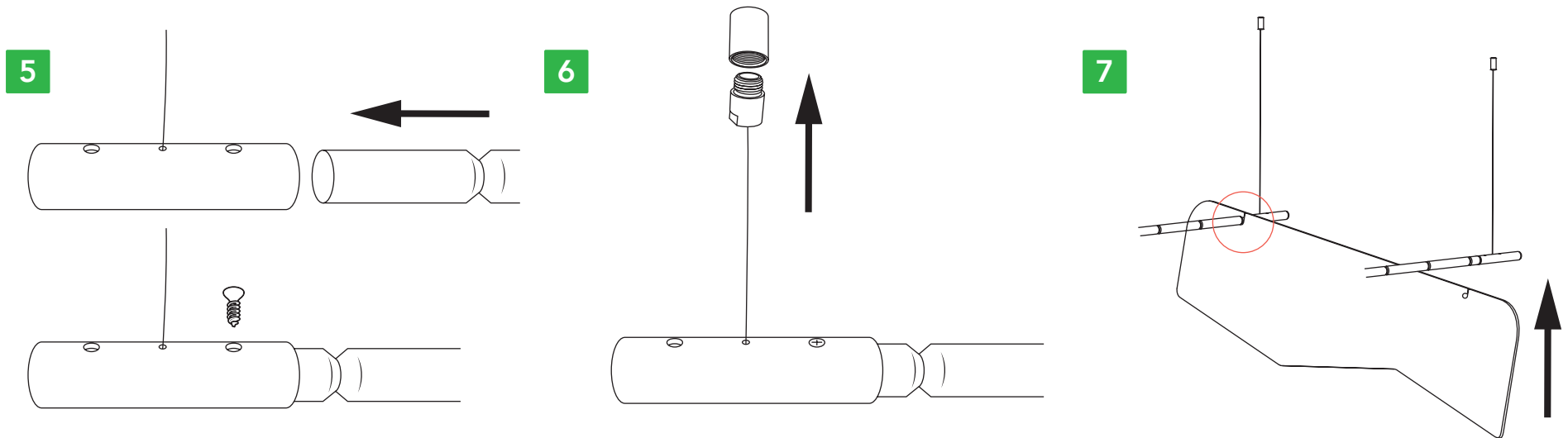
PREPARING THE COUPLERS

1. Begin by measuring the space needed for the ceiling couplers, 31.5" x 48". Screw the 'female' side of the ceiling coupler into the ceiling. Be sure to use appropriate screw for the ceiling.
2. Using a measuring tape and wire cutters, measure and cut the wires to the appropriate size needed for the project, enough wire is available for the dowel rods to hang 48" from the ceiling.
3. Using a crimper, attach a copper sleeve to the end of each wire.
4. Thread the un-crimped end of the wire through the dowel rod coupler, then thread the un-crimped end of the wire through the "male" end of the ceiling coupler. Crimp the un-crimped end and slide back inside the ceiling coupler.



HANGING THE DOWELS AND PANELS

5. Attach the dowel rod to the rod coupler by sliding the rod into one of the sides of the rod coupler and screwing it in.
6. Screw the 'male' side of the ceiling coupler into the 'female' side attached to the ceiling.
7. Begin attaching the panels to the dowel rods at each divot. Once all panels are attached, the project is completed.



FOR MORE INFORMATION

Scan the QR Code

- To see all product details
- For details on how to contact us.



TEMPO

CEILING TYPICALS

BEFORE BEGINNING

- Determine what area of the ceiling you want the corner of the full Tempo build to be in and begin the assembly there.
- Start by building one Tempo to completion, then build out from there.
- Any additional Tempos will attach to the prior Tempos by using its rod couplers.
- Be sure to study the typical illustration below to understand the space needed to complete your build.

