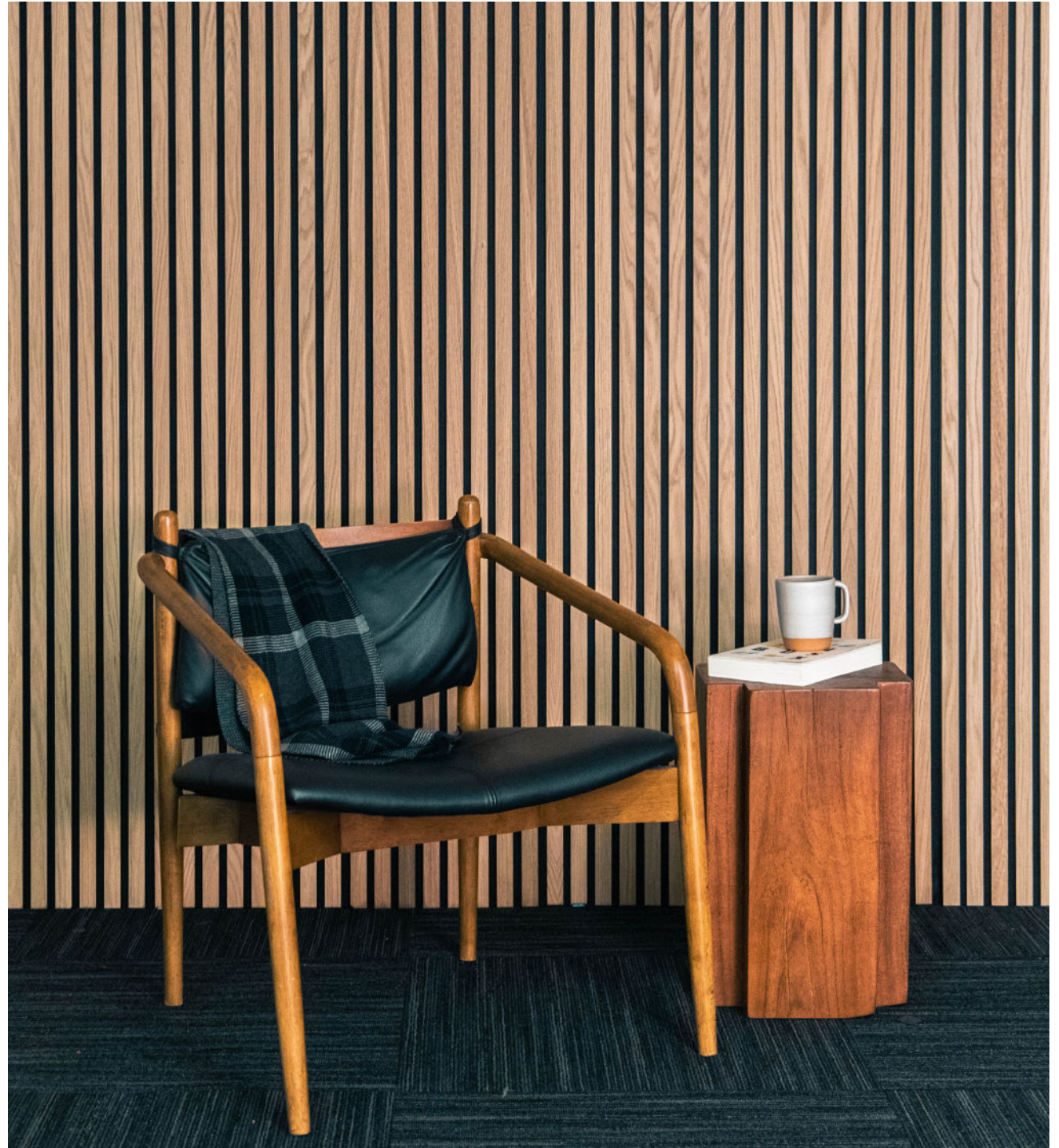


# ARBOR

mounting guide



**L.OFTWALL**

# Arbor contents

## Wall Mounting

**direct wall mounting**

- screws ..... 3-4
- adhesive ..... 5-6

**wall mounting**

- furring strips ..... 7-8

## Ceiling Mounting

**direct ceiling mounting**

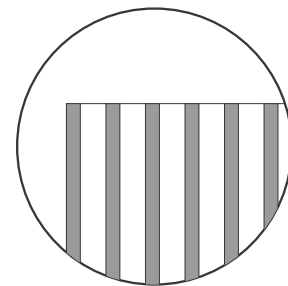
- furring strips ..... 10-11

**t-grid**

- screws ..... 12-13
- drop-tiles ..... 14-15

### Note

This mounting guide provides illustrations of Arbor represented like the image featured on this page. Be aware that the gray areas in the illustration represent the acoustic felt backer and the white areas represent the wood veneer.

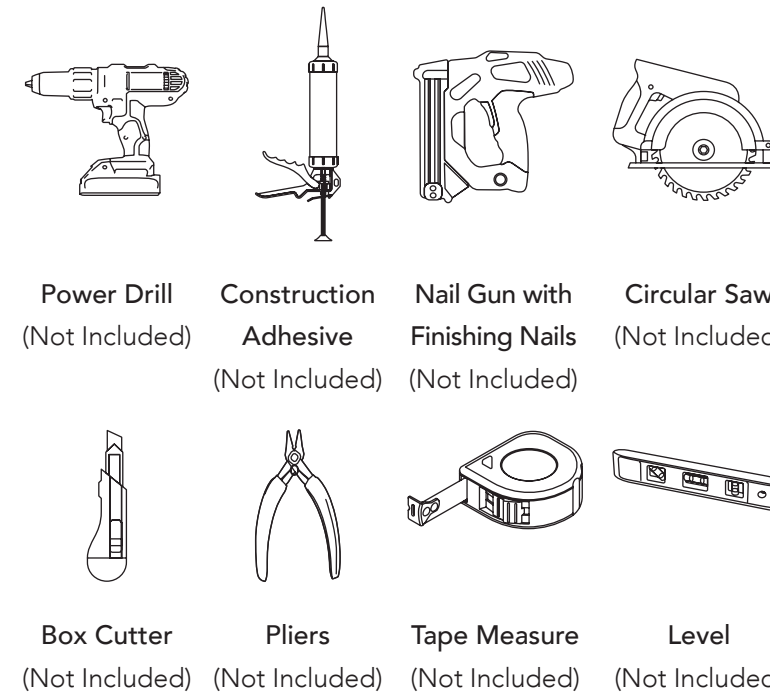


# ARBOR

## wall mounting

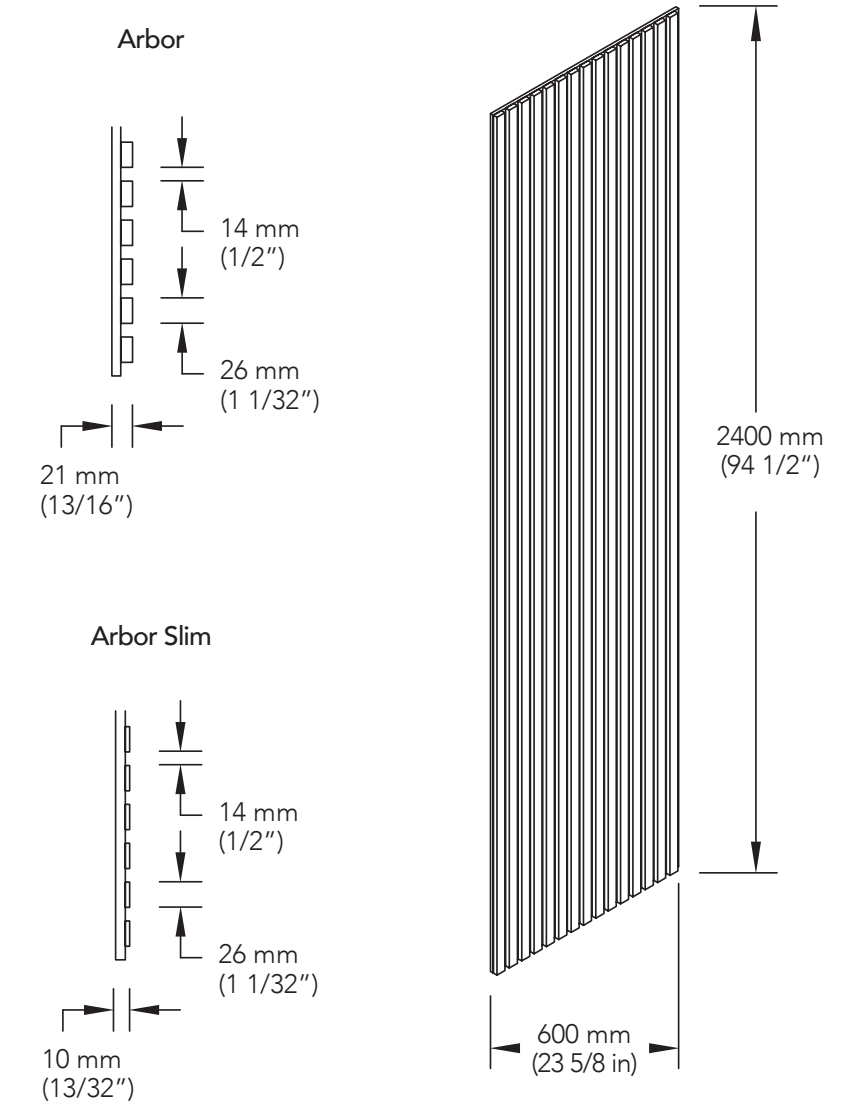
**Models** Arbor is available in two depths - Arbor and Arbor Slim - with different thicknesses that have a substantial impact on the acoustics of a space. Arbor measures 21mm and weighs 26 lbs. Arbor Slim is a more compact option at 10mm and weighs 6 lbs. This mounting guide applies to both models.

### Tools



### More Help

For more information, visit us at [www.loftwall.com/arbor](http://www.loftwall.com/arbor) or scan the QR Code to the right.



### Warning

It is important to utilize the correct screws for each relevant wall or ceiling surface. Screws are not provided. Screws should be able to support 40 lbs of weight. For a clean finish, use screws that match the color of the acoustic felt backer.





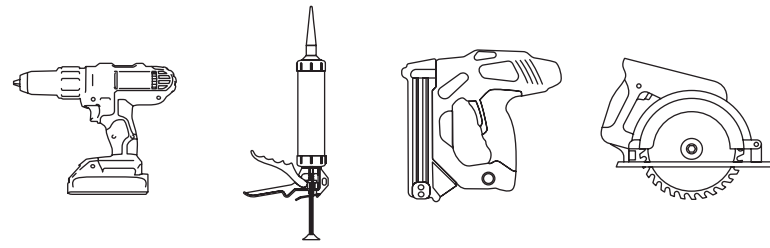


# ARBOR

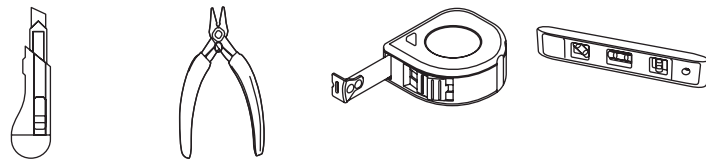
## ceiling mounting

**Models** Arbor is available in two depths - Arbor and Arbor Slim - with different thicknesses that have a substantial impact on the acoustics of a space. Arbor measures 21mm and weighs 26 lbs. Arbor Slim is a more compact option at 10mm and weighs 6 lbs. This mounting guide applies to both models.

### Tools



**Power Drill** (Not Included)  
**Construction Adhesive** (Not Included)  
**Nail Gun with Finishing Nails** (Not Included)  
**Circular Saw** (Not Included)



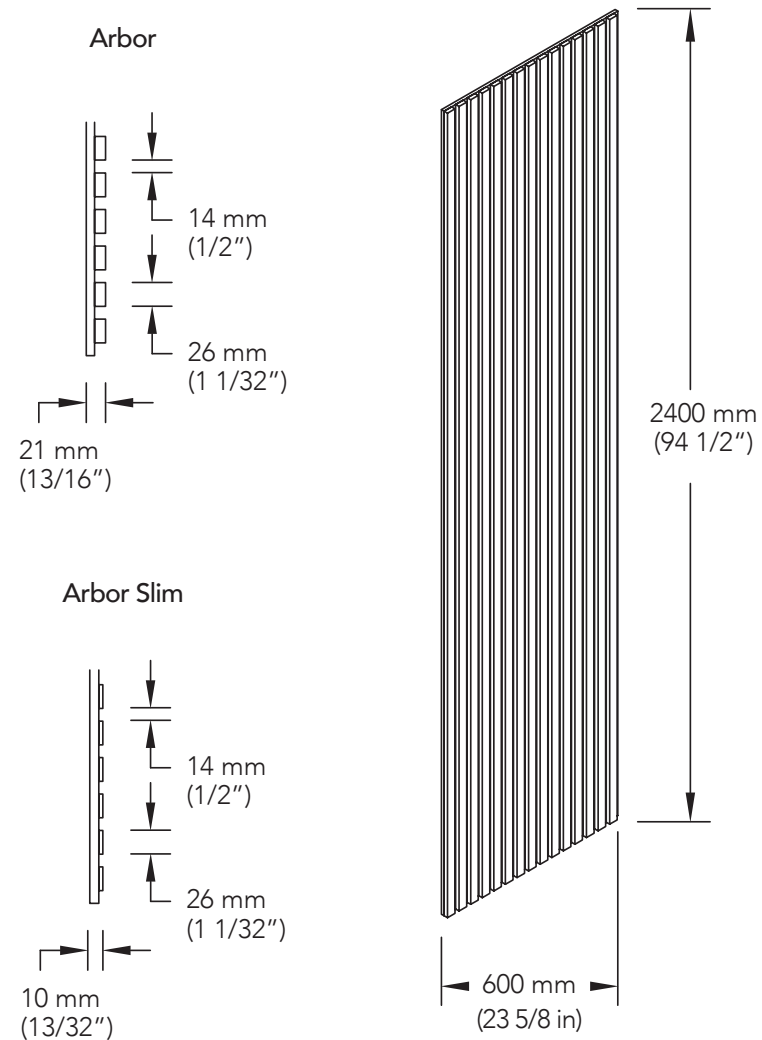
**Box Cutter** (Not Included)  
**Pliers** (Not Included)  
**Tape Measure** (Not Included)  
**Level** (Not Included)

### More Help

For more information, visit us at [www.loftwall.com/arbor](http://www.loftwall.com/arbor) or scan the QR Code to the right.

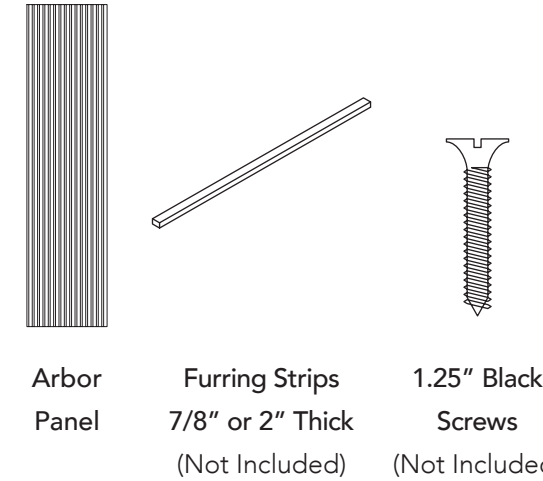


**Warning** It is important to utilize the correct screws for each relevant wall or ceiling surface. Screws are not provided. Screws should be able to support 40 lbs of weight. For a clean finish, use screws that match the color of the acoustic felt backer.



## Arbor direct ceiling mounting, furring strips

### Parts List



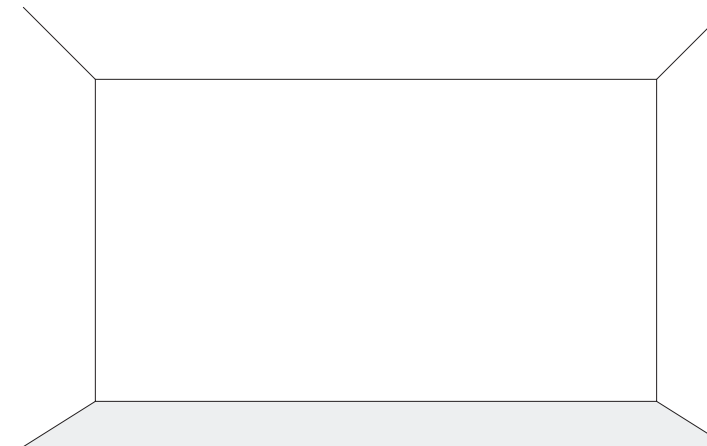
**Arbor Panel**  
**Furring Strips** 7/8" or 2" Thick (Not Included)  
**1.25" Black Screws** (Not Included)

### Tips

- Measure multiple points on the wall with a level, accounting for irregularities.
- Using decorative framing, such as molding, can help offset irregular or an uneven wall surface.
- Arbor looks best when installed with no gaps between ends or rows.
- Screws or nails should always be placed through acoustic felt backer.
- For additional support use adhesive on each strip.

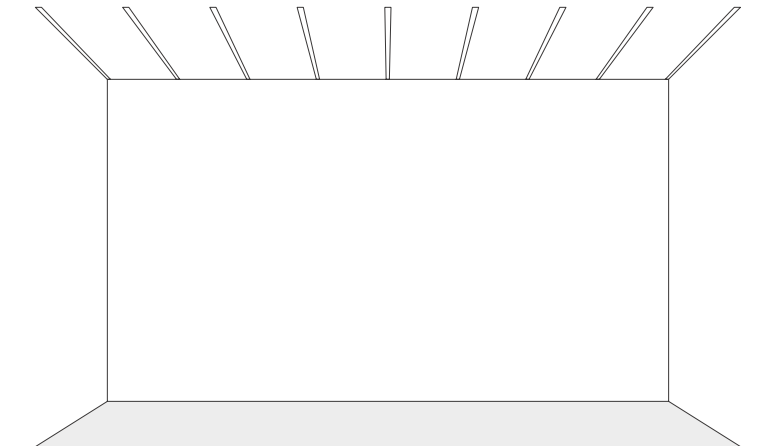
### Step 1

To begin, prepare the ceiling. Clean it thoroughly and remove anything that might get in the way, such as screws or nails. Determine the size of the wall by measuring its dimensions.



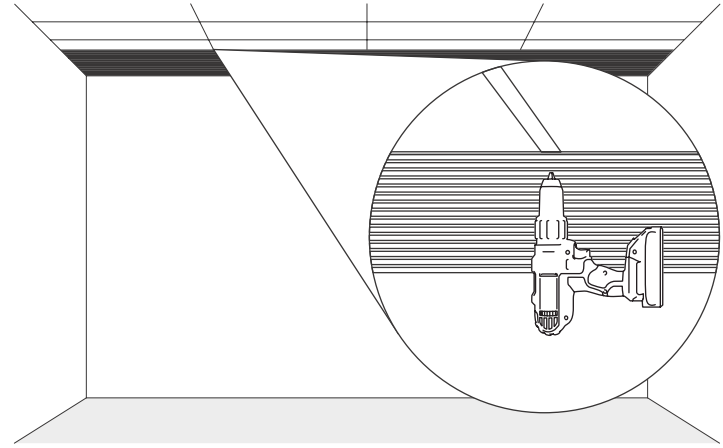
### Step 2

Using a screwdriver, attach the furring strips to the ceiling every 24", creating a framework for Arbor to attach to. Furring strips should always hang in the counter direction of the Arbor panels.

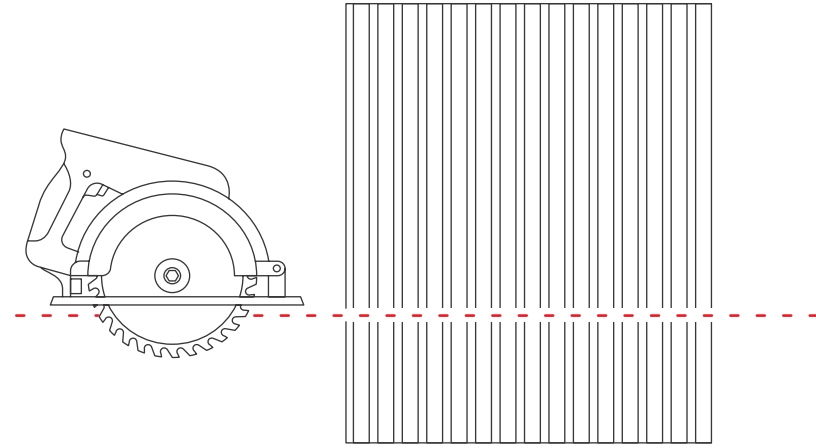




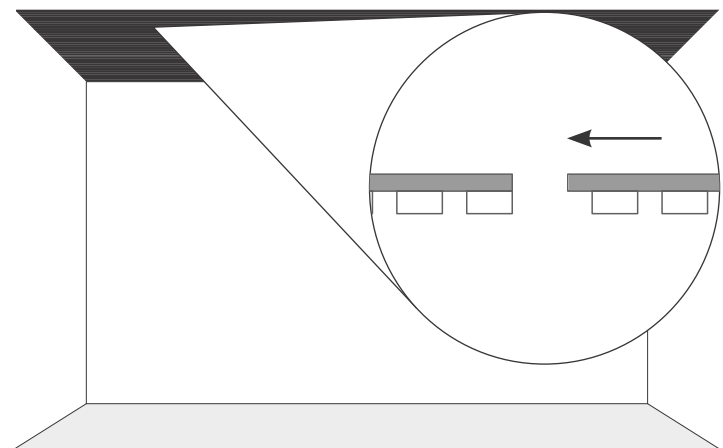
**Step 3** Begin hanging Arbor, making sure to drill through the black acoustic backing and into the frame.



**Step 4** If your ceiling requires cutting, measure the space that is required to fill and cut from the excess panels. Be sure to read the section about cutting Arbor before beginning.

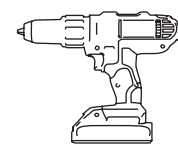


**Step 5** Be sure as you hang the panels that each one is oriented the same way horizontally; i.e. if the acoustic backing is on the left then each panel that follows should have acoustic felt backer on the left.



**Cutting Arbor** Arbor will often need to be cut to fit a chosen wall/space. Here is a list of best practices when cutting Arbor:

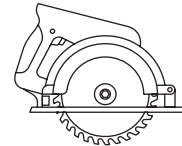
- Use a **Box Cutter** to cut through the acoustic felt backer and a **Circular Saw** when cutting through the wood veneer.
- To prevent the wood veneer from splintering use **Masking Tape**.
- Reattach wooden slats to the acoustic felt backer backing with **0.5" Screws** from the back of the panel after making cuts.



**Power Drill**  
(Not Included)



**Box Cutter**  
(Not Included)



**Circular Saw**  
(Not Included)



**0.5" Screw**  
(Not Included)

# Arbor Slim t-grid ceiling, drop-tiles

**Warning** Be aware that this mounting application only applies to installs for Arbor Slim.

## Parts List



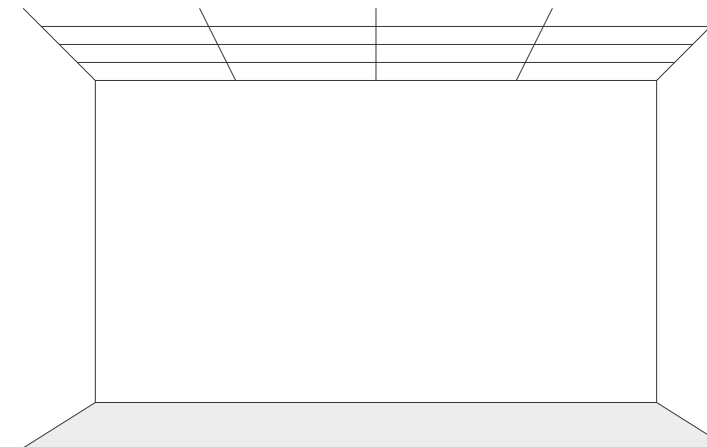
**Arbor Slim Panel**

## Tips

- Measure multiple points on the wall with a level, accounting for irregularities.
- Using decorative framing, such as molding, can help offset irregular or an uneven wall surface.
- Arbor looks best when installed with no gaps between ends or rows.
- Screws or nails should always be placed through acoustic felt backer.
- Ensure that your ceiling grid can support the weight of your Arbor installation.

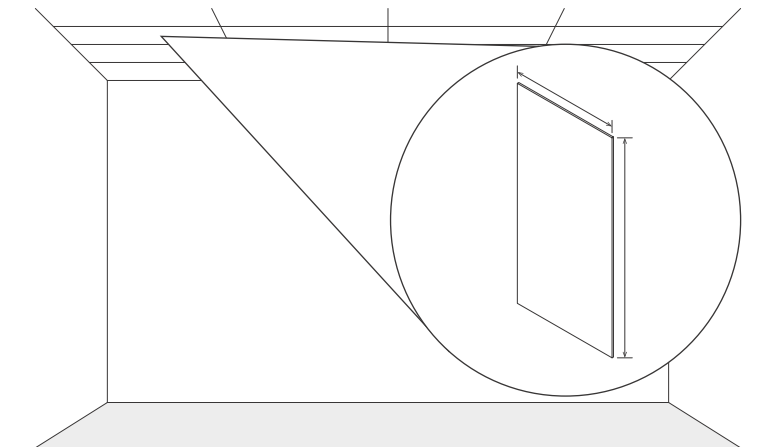
## Step 1

Begin by removing all existing ceiling tiles.



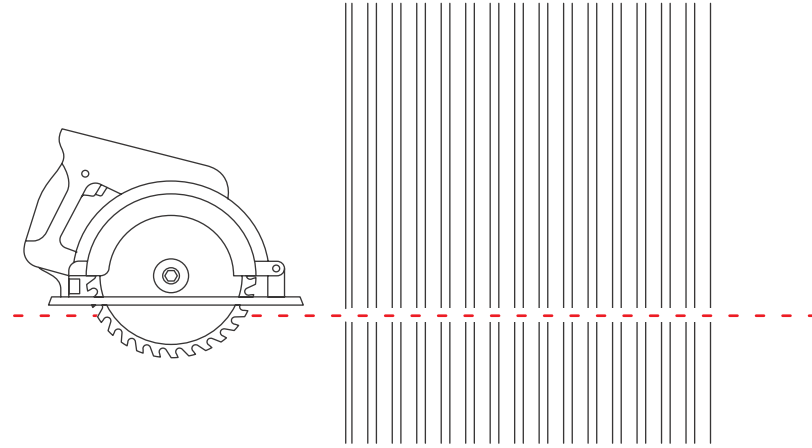
## Step 2

Using a measuring tape, take note of the dimensions of the t-grid, making sure you know the length and width of the frame.

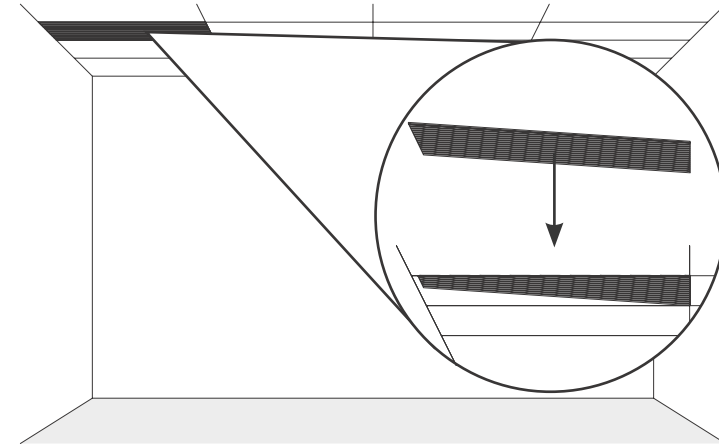




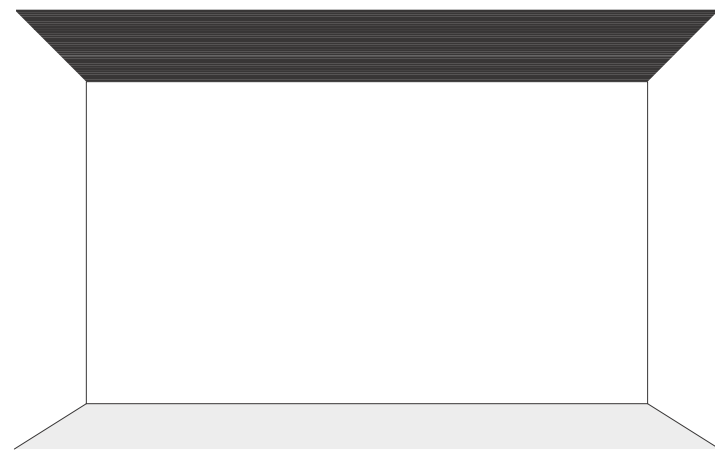
**Step 3** Cut Arbor Slim panels to the measured dimensions of the ceiling tiles. Be sure to read the section about cutting Arbor before beginning.



**Step 4** Drop the cut Arbor Slim panels into the t-grid squares in the ceiling. Each panel should rest comfortably on the frame.

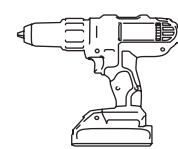


**Step 5** Continue step 4 until all tiles have been filled with Arbor Slim.



**Cutting Arbor** Arbor will often need to be cut to fit a chosen wall/space. Here is a list of best practices when cutting Arbor:

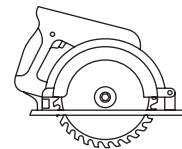
- Use a **Box Cutter** to cut through the acoustic felt backer and a **Circular Saw** when cutting through the wood veneer.
- To prevent the wood veneer from splintering use **Masking Tape**.
- Reattach wooden slats to the acoustic felt backer backing with **0.5" Screws** from the back of the panel after making cuts.



**Power Drill**  
(Not Included)



**Box Cutter**  
(Not Included)



**Circular Saw**  
(Not Included)



**0.5" Screw**  
(Not Included)

**LOFTWALL**