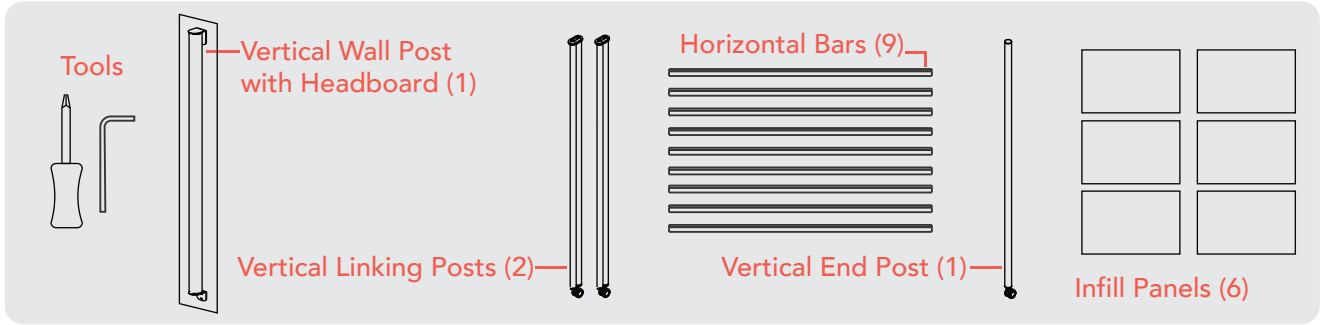


LOFTWALL

PIVOT

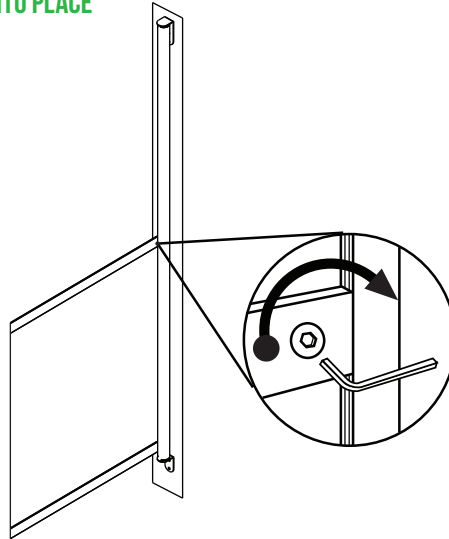
ASSEMBLY INSTRUCTIONS



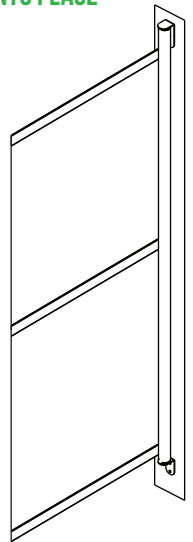
1 ATTACH THE HEADBOARD TO THE WALL



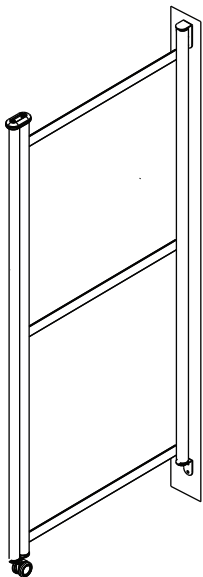
2 USING THE BOTTOM PANEL AS A SPACER, LOCK THE BOTTOM AND MIDDLE HORIZONTAL BAR INTO PLACE



3 USING THE TOP PANEL AS A SPACER, LOCK THE TOP HORIZONTAL BAR INTO PLACE



4 ATTACH A VERTICAL LINKING POST TO THE WALL'S FREE END BY LOCKING EACH HORIZONTAL BAR INTO PLACE



5 REPEAT STEPS 2 - 4 UNTIL YOU'VE REACHED THE WALL'S END. COMPLETE THE WALL BY ATTACHING THE FREE END TO THE END POST

