

# PARALLEL

The most flexible way to divide your desk

LOFTWALL



Parallel is everything traditional desk dividers are not. Parallel is acoustic, tackable, writable and repositionable. Utilizing magnetic technology, Parallel provides a one of a kind, dynamic user experience. Down to the hardware, which allows for easy cable management and device organization, every detail of Parallel has been meticulously designed.

## HAVE IT YOUR WAY

### WAIT, I DON'T SEE HOLES. HOW DO THE PANELS ATTACH?

Magnets! With magnets embedded in the acoustic core, Parallel panels attach without any drilling or screwing. With no power tools needed, repositioning the panels is as simple as sliding them along their bracket's axis!

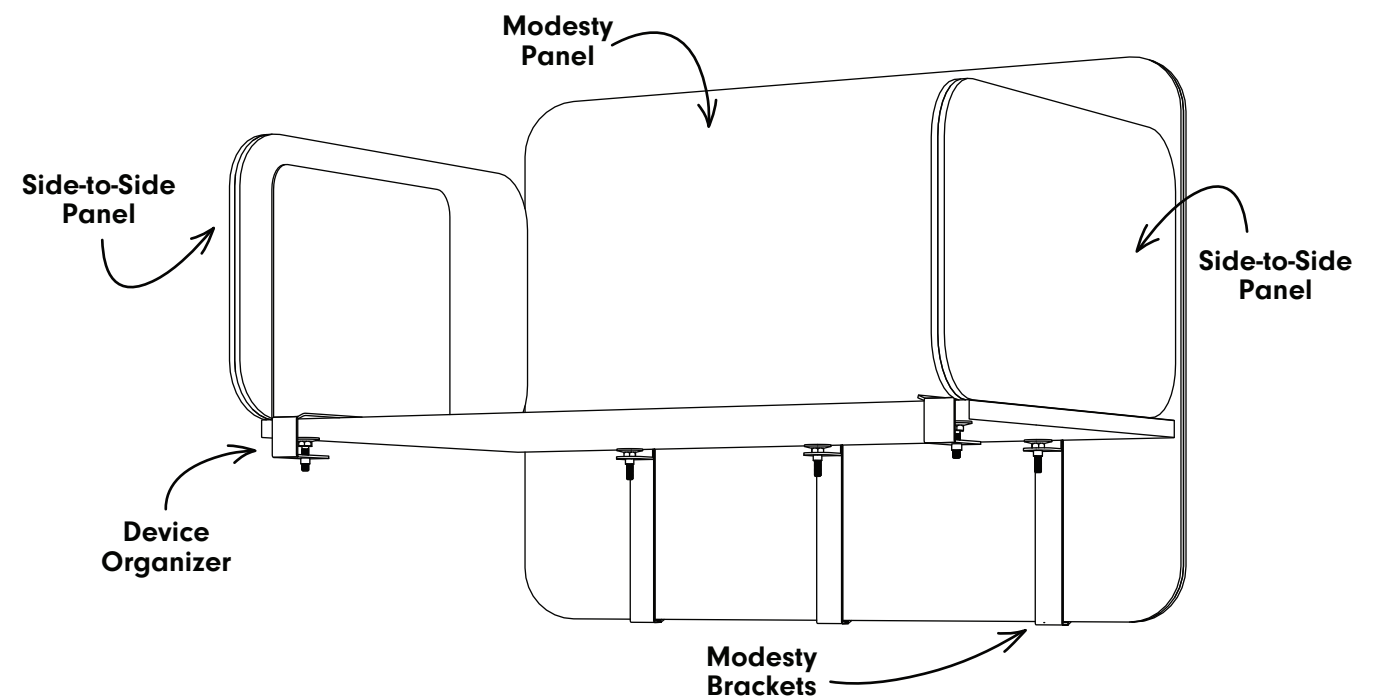


### HOW CAN IT BE ACOUSTIC, TACKABLE, AND MAGNETIC?

And writable! Don't forget that. How we do it though? Design. Our 0.75" thick acoustic panels are strong enough to absorb noise but soft enough to be punctured by a thumbtack. And for a final touch, we coat our steel brackets in a dry erase finish. Come on, you know that's slick.



## THE BREAKDOWN



# THE OTHER STUFF

## Side-to-Side Panel

- Height: 15" (Low Height) or 24" (Full Height)
- Width: 30"
- Thickness: 0.75"

## Modesty Panel

- Height: 30" (Low Height) or 39" (Full Height)
- Height Above Worksurface: 15" (Low Height) or 24" (Full Height)
- Width: 48", 60" or 72"
- Thickness: 0.75"

## Design Features

- All panels are made with sound absorbing acoustic PET
- All panels have embedded magnets that allow for easy installation and easy reconfiguration
- All panels are tackable surfaces
- All brackets are coated in a dry erase, writable finish
- All brackets are compatible with worksurfaces less than or equal to 1.5" thick



# FOR MORE INFORMATION

## Scan the QR Code

- To see all product details
- To request a quote immediately

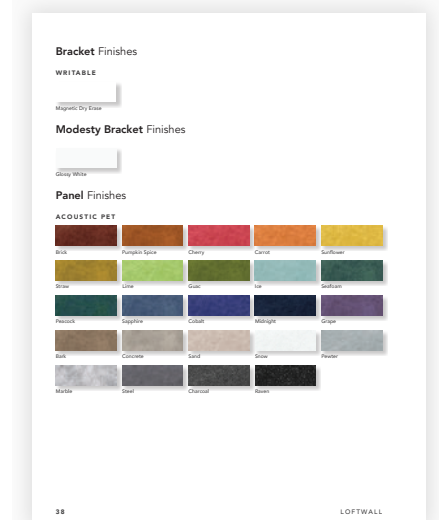
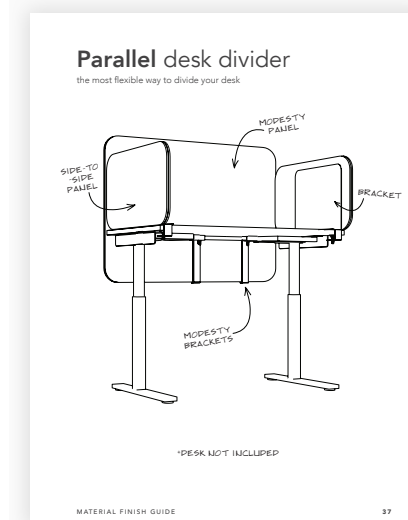


# SO IT'S ACOUSTIC, MAGNETIC, AND TACKABLE?

And writable! Don't forget that. Our 0.75" thick acoustic panels are strong enough to combat noise but soft enough to be punctured by a thumbtack. And for a final touch, we coat our steel hardware in a dry erase finish. Come on, you know that's slick.



# CHOOSE YOUR PANELS



Time to get creative! Mix and match from our huge selection of panel styles and finishes. See our finishes cutsheet for all the options.