

**Arbor**  
***RESERVE***  
acoustic wood wall panels

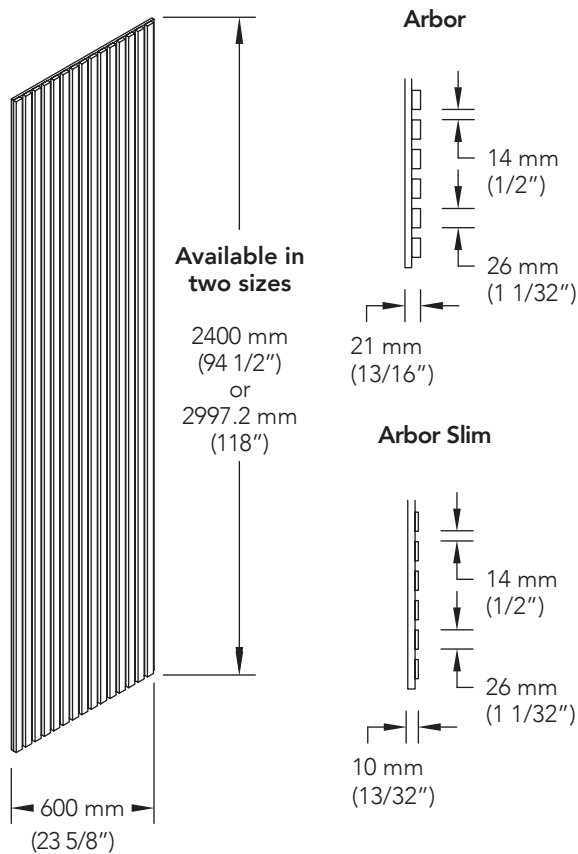
**LOFTWALL**

# Product Specifications

It's simple, Arbor panels make your space look and sound better. Manufactured with wood veneer slats on top of acoustic felt, Arbor panels are the intersection of functional acoustic materials and calming biophilic design.

## Arbor Dimensions

Arbor is available in 600 mm (23 5/8") x 2400 mm (94 1/2") panels and 600 mm (23 5/8") x 2997.2 mm (118") panels. Panels can be field cut to a smaller size.



## Minimum Order Quantity

With 20 finish combinations, the Arbor Reserve collection is meant for the projects that need a little more personalization. Any order of Arbor Reserve must have a minimum order quantity of 50 sheets.

## Lead Time

Arbor Reserve requires a 12+ week lead time.

## Reserve Wood Veneer Finishes



Black Oak



Dark Walnut



Gray Oak



Smoked Oak



Washed Oak

## Reserve Acoustic PET Panel Finishes



Raven



Steel



Marble



Midnight

## UV Coating

While wood veneer sitting in exposed sunlight can never be truly "fade-proof", we've gone ahead and added a UV coating to our Arbor panels to significantly delay this natural discoloration.

## NRC Ratings

Arbor:

- 0.80

Arbor Slim:

- 0.70

Note: True NRC values are determined by various environment and installation factors.

## Installing Arbor

Arbor panels can be installed simply and quickly with any of the following techniques:

- **Construction Adhesive:** A construction glue or grab adhesive can be used to attach the panel directly to the wall.
- **Drilling Directly into the Wall:** Using the appropriate anchor, panels can be screwed directly into a wall.
- **Drilling Into Furring Strips:** To combat an uneven wall, panel can be attached to mounted furring strips.

Visit [www.Loftwall.com/arbor](http://www.Loftwall.com/arbor) for more details.



## Ordering and Quoting

To order or quote Arbor panels for a project, reach our team directly at [quotes@Loftwall.com](mailto:quotes@Loftwall.com) or visit us at [www.loftwall.com/arbor](http://www.loftwall.com/arbor)