

Hedge space definition

Assembly Guide

For assembly assistance, call (214) 239-3162 or email orders@loftwall.com

LOFTWALL

Thank you for choosing Hedge from Loftwall

Contents

Hedge - Full Height	Cautions and Use..... 4
	Components - Full Height 5
	Optional Components 5
	Assembly Instruction..... 6
	Final Inspections 11

Hedge - Low Height	Cautions and Use..... 12
	Components - Low Height..... 13
	Optional Components 13
	Assembly Instruction..... 14
	Final Inspections 19

Cautions and Use

Work on a Stable Surface:

Ensure that the assembly area is flat, stable, and free of debris to prevent the unit from tipping or parts from becoming damaged.

Use Proper Tools:

Use the 4mm Allen wrench or Torx T25 bit as specified in the instructions. Avoid using power tools that may over-tighten screws and damage the components.

Secure All Screws:

Ensure that all screws are fully tightened during assembly to avoid instability. Double-check each connection point before use.

Avoid Overloading Shelves:

Do not exceed the recommended weight capacity of 50 lbs per shelf. Overloading can cause the unit to become unstable and may result in damage or injury.

Evenly Distribute Weight:

Distribute weight evenly across each shelf to prevent tipping or warping of the unit.

Use Caster Cups if Stationary Use is Intended:

If you plan to keep the unit stationary, use the provided caster cups to prevent unintended movement.

Use Stopping Cups Near Edges:

If Hedge is used near an edge or drop-off, ensure that stopping cups are in place to prevent the unit from accidentally rolling off the edge.

Check for Obstructions:

Before moving the unit, ensure that the path is clear of obstructions that could cause the unit to tip or the casters to get stuck.

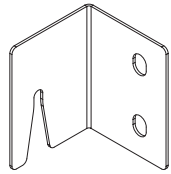
Use with Care Around Children:

If children will be around the unit, ensure that they do not climb or hang on the shelves, as this could cause the unit to tip over.

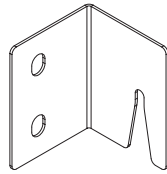
Regularly Inspect the Unit:

Periodically check the unit to ensure all screws remain tight and that the casters are functioning properly. Tighten any loose screws immediately.

Components - Full Height



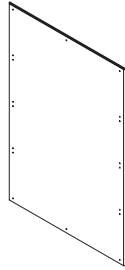
(3) Left Cleat Bracket
3" x 2.25" x 2.25"



(3) Right Cleat Bracket
3" x 2.25" x 2.25"



(4) Caster
65mm



(1) Exterior PET Back Panel
46.5" x 67.5" x 0.75"



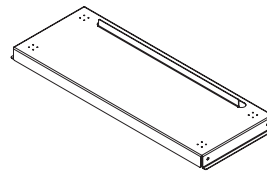
(1) Interior PET Back Panel
46.5" x 62" x 0.75"



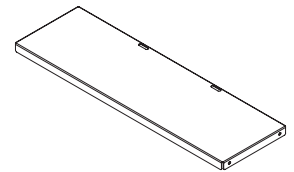
(1) PET Left Side Panel
17.75" x 67.5" x .075"



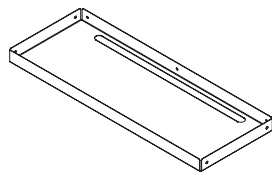
(1) PET Right Side Panel
17.75" x 67.5" x .075"



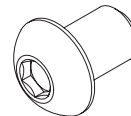
(1) Metal Bottom Shelf
17.94" x 46.87" x 2.61"



(3) Metal Middle Shelf
14" x 45.5" x 1.5"

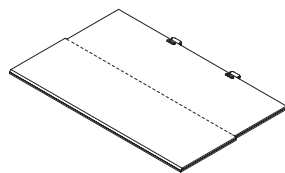


(1) Metal Top Shelf
17.25" x 45.5" x 2.5"



(47) Screw

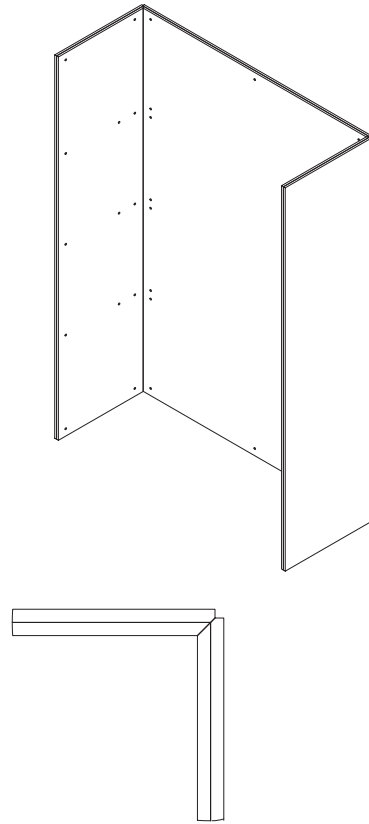
Optional Components



PET Shelf Door
46.25" x 29" x 75"

Assembly Instructions

Step 1: Position the Panels



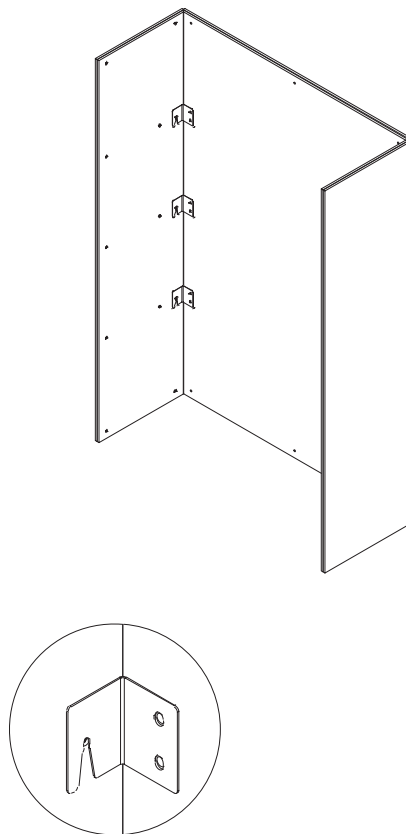
Required Components

- (1) Exterior PET Back Panel
- (1) PET Left Side Panel
- (1) PET Right Side Panel

Instruction

- Lay the exterior PET back panel flat on the floor.
- Place the left and right side panels on either side of the exterior PET back panel.
- **Note:** Ensure that the beveled edges of the back and side panels match for proper alignment.

Step 2: Attach the Brackets



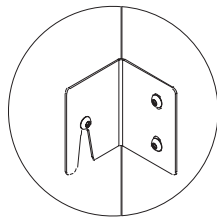
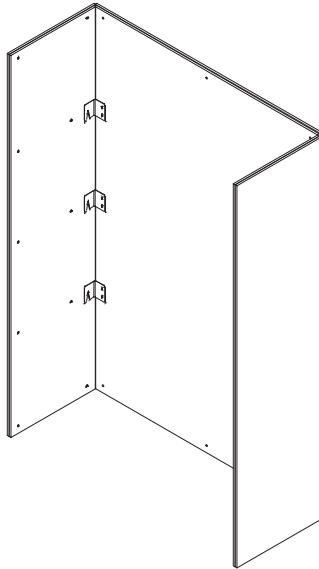
Required Components

- (3) Left Cleat Brackets
- (3) Right Cleat Brackets
- (12) Screws

Instruction

- Loosely attach the left cleat brackets to the left side of the exterior PET back panel and the right cleat brackets to the right side using the 4mm Allen wrench or Torx T25 bit. Each bracket has three holes: two for attaching to the exterior back panel (relevant in this step) and one for attaching to the side panel (relevant in Step 3).
- **Note:** Ensure the open slot in the brackets is facing downward.

Step 3: Attach the Side Panels



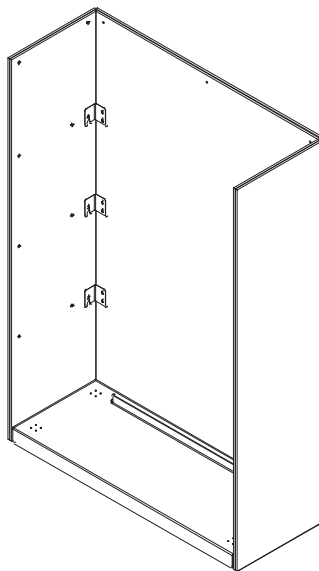
Required Components

- Side Panels
- (6) Screws

Instruction

- Insert one screw per bracket to attach the side panels to the exterior PET back panel, using the 4mm Allen wrench or Torx T25 bit.
- Hold the side panels in place and fully tighten all screws on the brackets.
- **Note:** Check the alignment at the top and bottom of each panel to ensure they are flush.

Step 4: Attach the Bottom Shelf



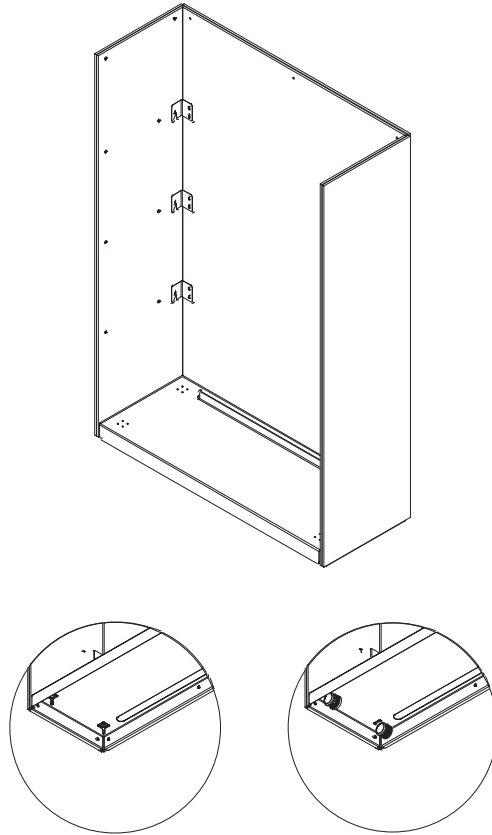
Required Components

- Side Panels
- (6) Screws

Instruction

- Position the bottom shelf (with stems for casters) between the side panels. The bottom shelf has a lip pointing upward.
- Align the three screw holes on the back of the shelf with the corresponding holes on the exterior PET back panel, then insert the screws.
- Insert screws into the left and right sides of the bottom shelf and attach them to the side panels.
- **Note:** You may need to slightly adjust the shelf or pull it up to align the screws with the holes. Ensure that the edges of the side panels and the shelf are flush. Once aligned, tighten all seven screws using the 4mm Allen wrench or Torx T25 bit.

Step 5: Attach the Casters



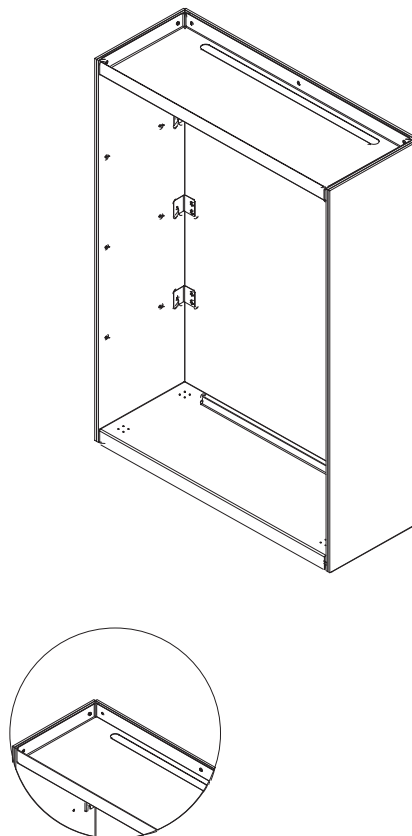
Required Components

- (4) Casters

Instruction

- Install the casters onto the stems on the bottom shelf.

Step 6: Attach the Top Shelf



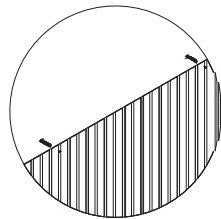
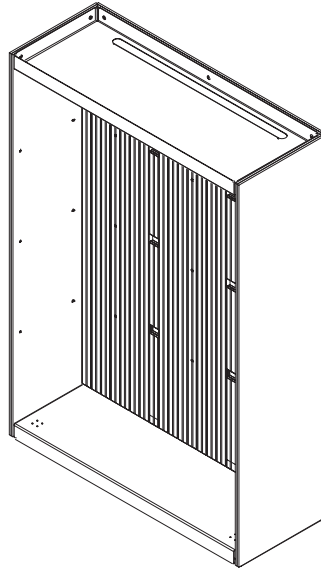
Required Components

- Top Shelf
- (7) Screws

Instruction

- Position the top shelf between the side panels. The top shelf has a lip pointing downward.
- Align the three screw holes on the back of the shelf with the corresponding holes on the exterior PET back panel, then insert the screws.
- Insert screws into the left and right sides of the top shelf and attach them to the side panels.
- **Note:** Ensure that the edges of the side panels and the shelf are flush. Once aligned, tighten all seven screws using the 4mm Allen wrench or Torx T25 bit.

Step 7: Insert the Interior PET Back Panel



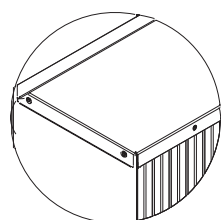
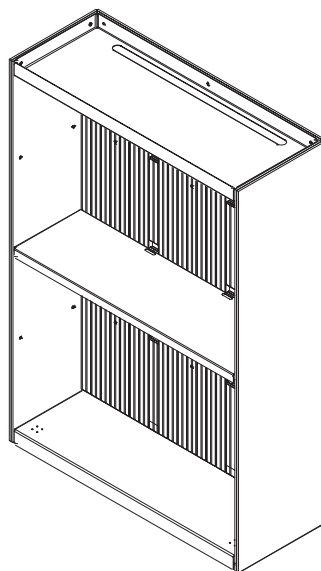
Required Components

- (1) Interior PET back panel

Instruction

- Carefully place the interior PET back panel onto the lips of the top and bottom shelves. The interior PET backer will rest on these lips, creating a chamber between the exterior PET panel and the interior PET backer for wire management.
- **Note:** The interior PET backer has two holes along one of the short edges, which indicates the top of the panel. Ensure that this edge is placed at the top. The panel may bow or buckle slightly since it isn't attached to anything yet. This is normal.

Step 8: Attach the Middle Shelf (3rd Shelf)



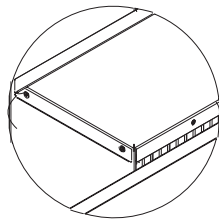
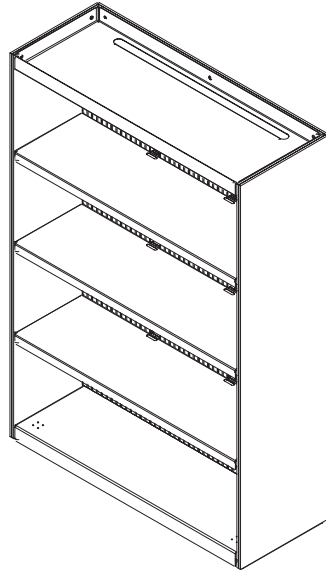
Required Components

- Middle shelf
- (7) Screws

Instruction

- Position the middle shelf between the side panels at an angle to help line up the screws (the interior PET back panel may bow inward slightly).
- Align the three screw holes on the back of the shelf with the corresponding holes on the interior PET back panel. Start by inserting the center screw, followed by the screws on each side.
- Once the shelf is attached to the interior PET back panel, you may need to pull the shelf up slightly to ensure the edge is flush with the side panels. This should align the holes for the side screws.
- Insert and tighten the screws on the sides of the shelf using the 4mm Allen wrench or Torx T25 bit.

Steps 9 & 10: Attach Shelves 2 and 4



Required Components

- Shelves 2 and 4
- (14) Screws

Instruction

- Repeat the process used for the middle shelf for shelves 2 and 4.
- Align the three screw holes on the back of each shelf with the corresponding holes on the interior PET back panel. Start by inserting the center screw, followed by the screws on each side.
- Once the shelf is attached to the interior PET back panel, you may need to pull the shelf up slightly to ensure the edge is flush with the side panels. This should align the holes for the side screws.
- Insert and tighten the screws on the sides of each shelf using the 4mm Allen wrench or Torx T25 bit.

Final Inspection

Check for Stability:

Gently shake the assembled unit to ensure it is stable. If there is any wobbling, recheck all screws and tighten them as needed.

Verify Flush Alignment:

Ensure that all shelves are flush with the side panels and that there are no gaps or misalignments.

Test the Casters:

Roll the unit a short distance to confirm that the casters are securely attached and move smoothly. If the unit is intended to be stationary, place it in the desired location and apply the caster cups.

Confirm Weight Distribution:

Verify that any items placed on the shelves are evenly distributed to avoid tipping or warping.

Inspect for Loose Parts:

Do a final check to ensure that all screws and components are securely fastened. Make sure there are no leftover parts.

Cautions and Use

Work on a Stable Surface:

Ensure that the assembly area is flat, stable, and free of debris to prevent the unit from tipping or parts from becoming damaged.

Use Proper Tools:

Use the 4mm Allen wrench or Torx T25 bit as specified in the instructions. Avoid using power tools that may over-tighten screws and damage the components.

Secure All Screws:

Ensure that all screws are fully tightened during assembly to avoid instability. Double-check each connection point before use.

Avoid Overloading Shelves:

Do not exceed the recommended weight capacity of 50 lbs per shelf. Overloading can cause the unit to become unstable and may result in damage or injury.

Evenly Distribute Weight:

Distribute weight evenly across each shelf to prevent tipping or warping of the unit.

Use Caster Cups if Stationary Use is Intended:

If you plan to keep the unit stationary, use the provided caster cups to prevent unintended movement.

Use Stopping Cups Near Edges:

If Hedge is used near an edge or drop-off, ensure that stopping cups are in place to prevent the unit from accidentally rolling off the edge.

Check for Obstructions:

Before moving the unit, ensure that the path is clear of obstructions that could cause the unit to tip or the casters to get stuck.

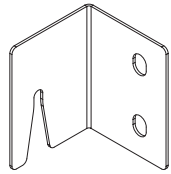
Use with Care Around Children:

If children will be around the unit, ensure that they do not climb or hang on the shelves, as this could cause the unit to tip over.

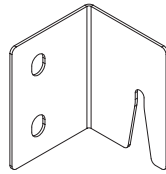
Regularly Inspect the Unit:

Periodically check the unit to ensure all screws remain tight and that the casters are functioning properly. Tighten any loose screws immediately.

Components - Low Height



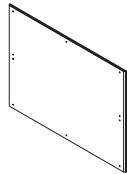
(3) Left Cleat Bracket
3" x 2.25" x 2.25"



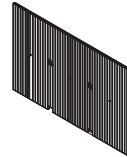
(3) Right Cleat Bracket
3" x 2.25" x 2.25"



(4) Caster
65mm



(1) Exterior PET Back Panel
46.5" x 34.5" x 0.75"



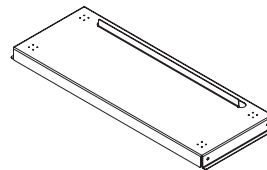
(1) Interior PET Back Panel
45.5" x 29.5" x 0.75"



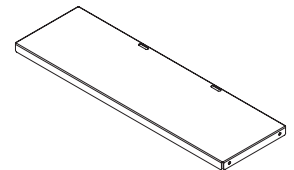
(1) PET Left Side Panel
17.75" x 34.5" x 0.75"



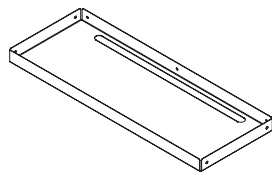
(1) PET Right Side Panel
17.75" x 34.5" x 0.75"



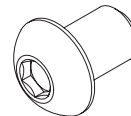
(1) Metal Bottom Shelf
17.94" x 46.87" x 2.61"



(1) Metal Middle Shelf
14" x 45.5" x 1.5"

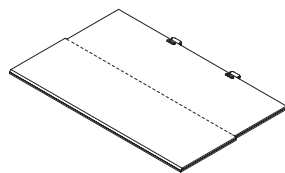


(1) Metal Top Shelf
17.25" x 45.5" x 2.5"



(33) Screw

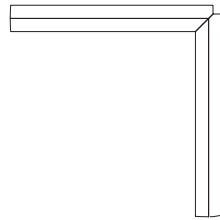
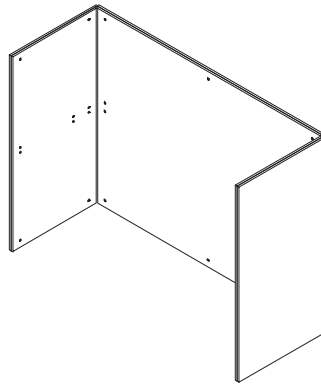
Optional Components



PET Shelf Door
46.25" x 29" x 75"

Assembly Instructions

Step 1: Position the Panels



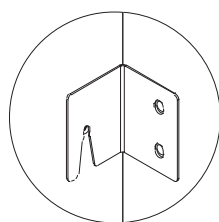
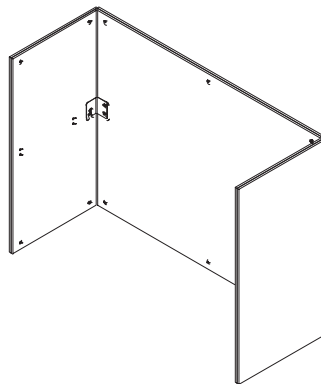
Required Components

- (1) Exterior PET Back Panel
- (1) PET Left Side Panel
- (1) PET Right Side Panel

Instruction

- Lay the exterior PET back panel flat on the floor.
- Place the left and right side panels on either side of the exterior PET back panel.
- **Note:** Ensure that the beveled edges of the back and side panels match for proper alignment.

Step 2: Attach the Brackets



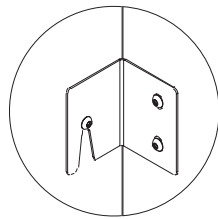
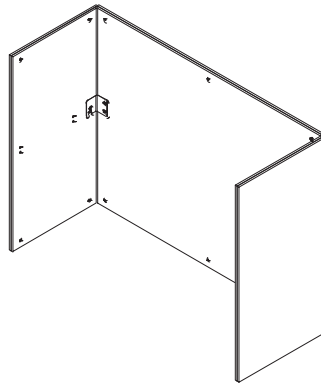
Required Components

- (1) Left Cleat Brackets
- (1) Right Cleat Brackets
- (4) Screws

Instruction

- Loosely attach the left cleat bracket to the left side of the exterior PET back panel and the right cleat bracket to the right side using the 4mm Allen wrench or Torx T25 bit. Each bracket has three holes: two for attaching to the exterior back panel (relevant in this step) and one for attaching to the side panel (relevant in Step 3).
- **Note:** Ensure the open slot in the brackets is facing downward.

Step 3: Attach the Side Panels



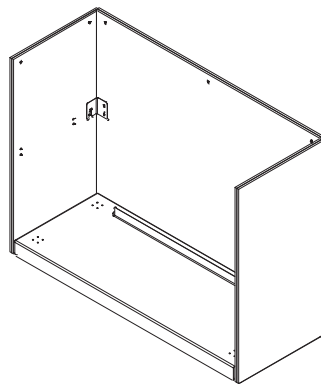
Required Components

- Side Panels
- (2) Screws

Instruction

- Insert one screw per bracket to attach the side panels to the exterior PET back panel, using the 4mm Allen wrench or Torx T25 bit.
- Hold the side panels in place and fully tighten all screws on the brackets.
- **Note:** Check the alignment at the top and bottom of each panel to ensure they are flush.

Step 4: Attach the Bottom Shelf



Required Components

- Bottom Shelf
- (7) Screws

Instruction

- Position the bottom shelf (with stems for casters) between the side panels. The bottom shelf has a lip pointing upward.
- Align the three screw holes on the back of the shelf with the corresponding holes on the exterior PET back panel, then insert the screws.
- Insert screws into the left and right sides of the bottom shelf and attach them to the side panels.
- **Note:** You may need to slightly adjust the shelf or pull it up to align the screws with the holes. Ensure that the edges of the side panels and the shelf are flush. Once aligned, tighten all seven screws using the 4mm Allen wrench or Torx T25 bit.

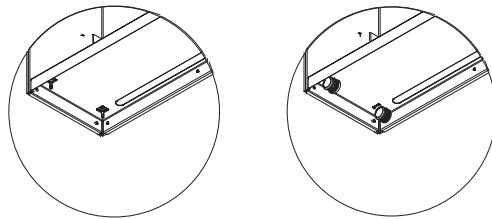
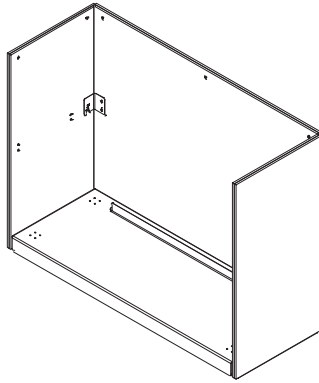
Step 5: Attach the Casters

Required Components

- (4) Casters

Instruction

- Install the casters onto the stems on the bottom shelf.



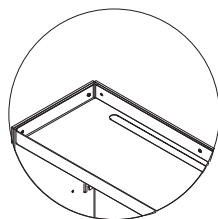
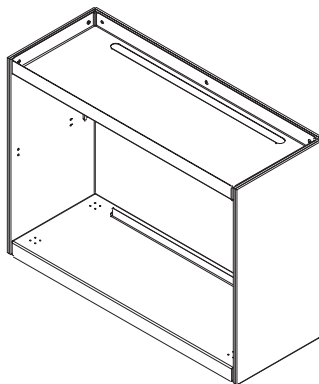
Step 6: Attach the Top Shelf

Required Components

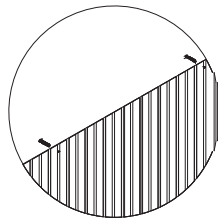
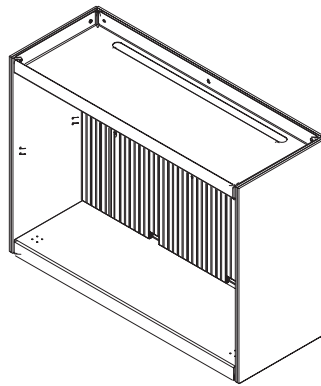
- Top Shelf
- (7) Screws

Instruction

- Position the top shelf between the side panels. The top shelf has a lip pointing downward.
- Align the three screw holes on the back of the shelf with the corresponding holes on the exterior PET back panel, then insert the screws.
- Insert screws into the left and right sides of the top shelf and attach them to the side panels.
- **Note:** Ensure that the edges of the side panels and the shelf are flush. Once aligned, tighten all seven screws using the 4mm Allen wrench or Torx T25 bit.



Step 7: Insert the Interior PET Back Panel



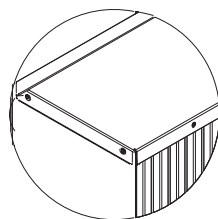
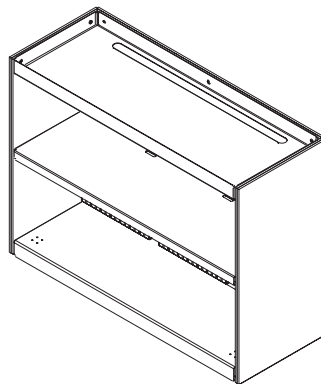
Required Components

- (1) Interior PET back panel

Instruction

- Carefully place the interior PET back panel onto the lips of the top and bottom shelves. The interior PET backer will rest on these lips, creating a chamber between the exterior PET panel and the interior PET backer for wire management.
- **Note:** The interior PET backer has two holes along one of the short edges, which indicates the top of the panel. Ensure that this edge is placed at the top. The panel may bow or buckle slightly since it isn't attached to anything yet. This is normal.

Step 8: Attach the Middle Shelf



Required Components

- Middle shelf
- (7) Screws

Instruction

- Position the middle shelf between the side panels at an angle to help line up the screws.
- Align the three screw holes on the back of the shelf with the corresponding holes on the interior PET back panel. Start by inserting the center screw, followed by the screws on each side.
- Once the shelf is attached to the interior PET back panel, you may need to pull the shelf up slightly to ensure the edge is flush with the side panels. This should align the holes for the side screws.
- Insert and tighten the screws on the sides of the shelf using the 4mm Allen
- **Note:** You will notice a set of open holes below the middle shelf; this is normal and expected.

Final Inspection

Check for Stability:

Gently shake the assembled unit to ensure it is stable. If there is any wobbling, recheck all screws and tighten them as needed.

Verify Flush Alignment:

Ensure that all shelves are flush with the side panels and that there are no gaps or misalignments.

Test the Casters:

Roll the unit a short distance to confirm that the casters are securely attached and move smoothly. If the unit is intended to be stationary, place it in the desired location and apply the caster cups.

Confirm Weight Distribution:

Verify that any items placed on the shelves are evenly distributed to avoid tipping or warping.

Inspect for Loose Parts:

Do a final check to ensure that all screws and components are securely fastened. Make sure there are no leftover parts.

