



# **ARC** *(DESK DIVIDER)*

## **Assembly Guide**

For Assistance:

call (214) 239-3162

or email [orders@loftwall.com](mailto:orders@loftwall.com)

# 1. Required Tools

- 10 mm wrench, adjustable wrench, or pliers
- Construction-grade adhesive (e.g., Liquid Nails®) – Arc Wrap only

**Note:** Loftwall construction tape is pre-applied to Arc Wrap panels—installers need only peel the liner.

## 2. Arc Wrap Assembly Instructions

### 2.1 Identify Components

Required Components:

- (3) Arc Wrap Panels — Left, Center, Right
- (4) Powder-Coated Brackets

### 2.2 Insert Brackets into Routed Pockets

Required Components:

- (3) Arc Wrap Panels
- (4) Brackets

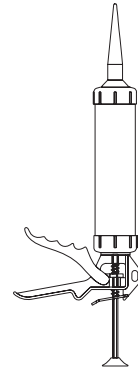
#### Instructions:

1. Slide the thin, rounded end of a bracket into the pocket until flush with the interior face.
2. Repeat for all pockets on all other panels.

#### 1. REQUIRED TOOLS

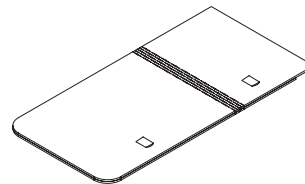


Adjustable Wrench  
(10mm)

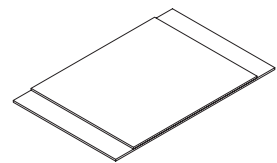


Construction Grade  
Adhesive  
(not included)

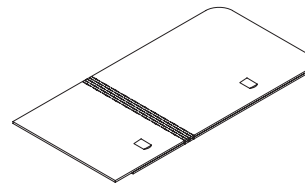
#### 2.1 ARC WRAP COMPONENTS



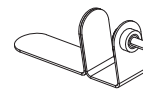
Arc Wrap  
(Left Panel)



Arc Wrap  
(Center Panel)

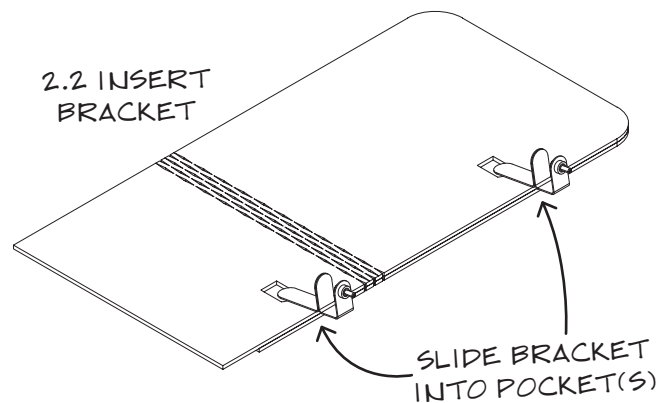


Arc Wrap  
(Right Panel)



(4) Brackets

#### 2.2 INSERT BRACKET



## 2.3 Join Right Panel to Center Panel

### Required Components:

- Center Arc Panel
- Right Arc Panel
- Pre-applied tape (peel liner)
- Construction adhesive

### Instructions:

1. Lay center & right panels flat, brackets up.
2. Peel the tape liner on the right-side PET extension of the center panel's exterior.
3. Apply a ¼-inch bead of adhesive along the inner corner of that PET extension (about a quarter-sized amount per 6 inches).
4. Align the left-side PET extension of the right panel's interior; press firmly.
5. Follow adhesive manufacturer's instructions for cure time.

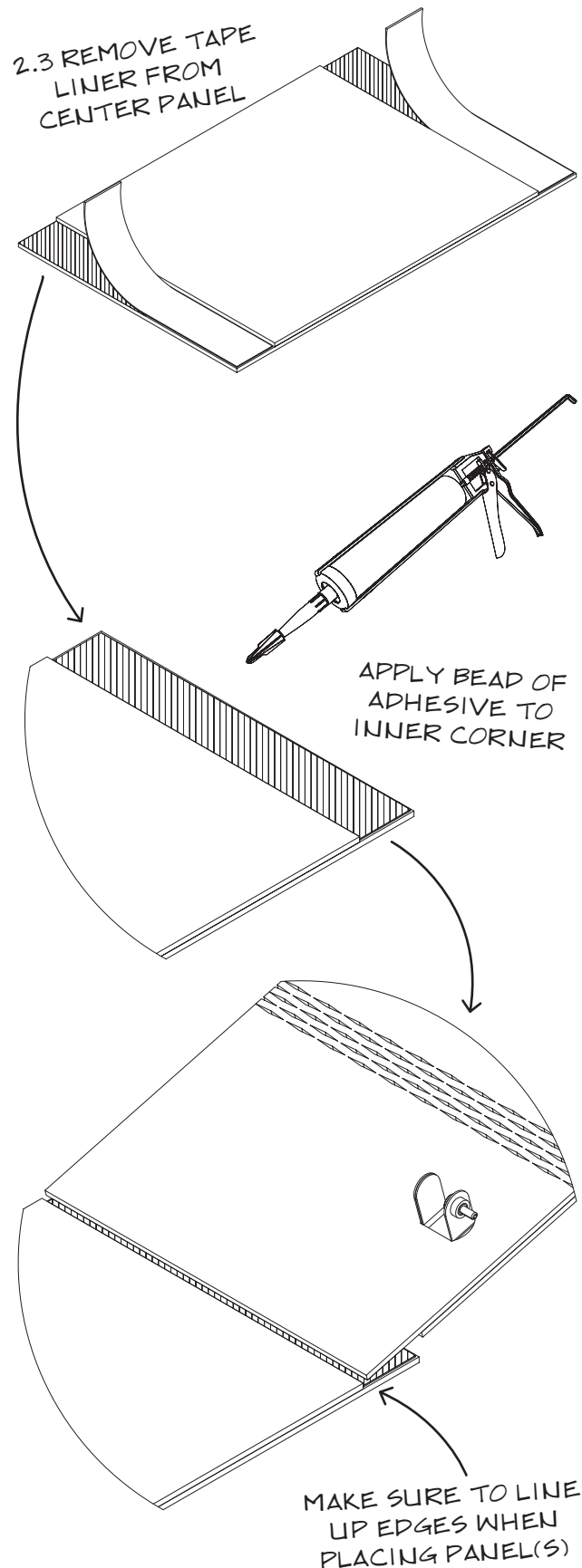
## 2.4 Join Left Panel

Repeat the previous process for the left panel.

## 2.5 Install Arc Wrap on Desk

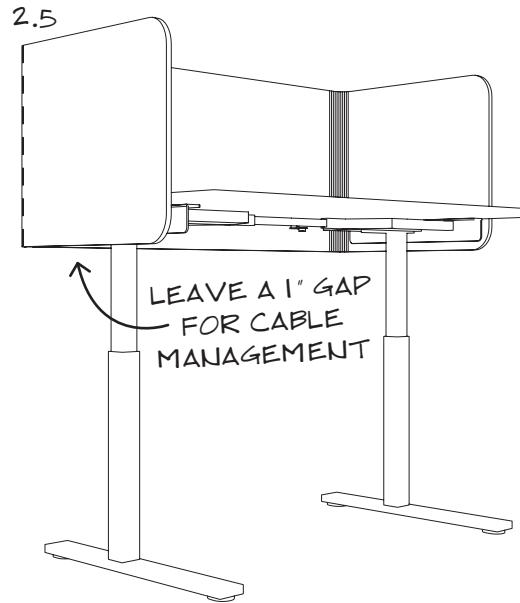
### Required Components

- Fully assembled Arc Wrap (brackets pre-installed and loosened/open)
- Desk (not included)
- Two installers
- 10 mm wrench, adjustable wrench, or pliers



## Instructions:

1. With an installer on each side, lift the Arc unit and align the open brackets with the desk edge.
2. Slide the brackets fully onto the desktop until the bracket tongues sit flush on top of the worksurface. Confirm the desk provides at least 3 inches of clearance on both left and right edges so the brackets seat flat.
3. Establish a 1-inch gap between the interior face of the Arc panel and the desk edge—this prevents bowing and leaves room for cable routing.
4. While one installer holds the gap, the second installer snug-tightens each bracket bolt with a 10 mm wrench—do not over-tighten.
5. Re-check that Arc cannot slide or tip and that the 1-inch gap remains uniform.



# 3. Arc Corner Assembly Instructions

## 3.1 Identify Components

### Required Components

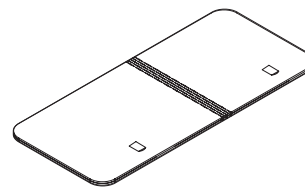
- (1) Arc Corner Panel — Left or Right
- (2) Powder-Coated Brackets

## 3.2 Insert Brackets

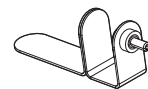
### Instructions:

1. Slide the thin, rounded end of a bracket into the pocket until flush with the interior face.

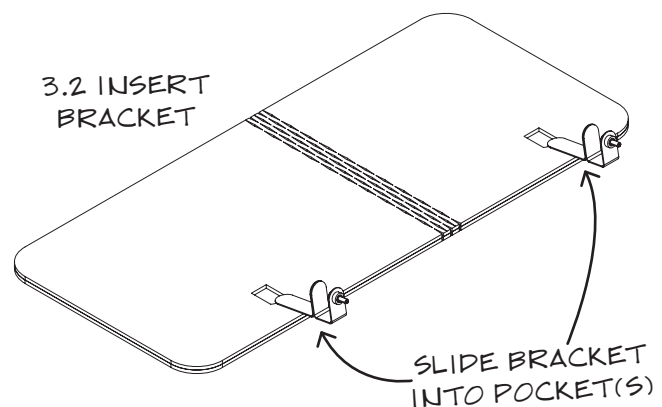
### 3.1 ARC WRAP COMPONENTS



Arc Corner  
(Left or Right Panel)



(2) Brackets



## 3.3 Install Arc Corner on Desk

### Required Components

- Arc Corner Panel (brackets pre-installed and loosened/open)
- Desk (not included)
- Two installers
- 10 mm wrench, adjustable wrench, or pliers

### Instructions:

1. With one installer at each end, lift the Arc Corner panel and align the open brackets with the desk edge.
2. Slide the brackets fully onto the desktop until the bracket tongues sit flush beneath the worksurface; confirm the desk provides at least 3 inches of clearance at the bracketed edges.
3. Set a 1-inch gap between the interior face of the Arc panel and the desk edge—this prevents bowing and keeps a pathway for cable routing.
4. While one installer maintains the gap, the second installer snug-tightens both bracket bolts with a 10 mm wrench—do not overtighten.
5. Re-check that the panel cannot slide or tip and that the 1-inch gap remains uniform.

### 3.3 INSTALL ARC CORNER

