

# PARALLEL

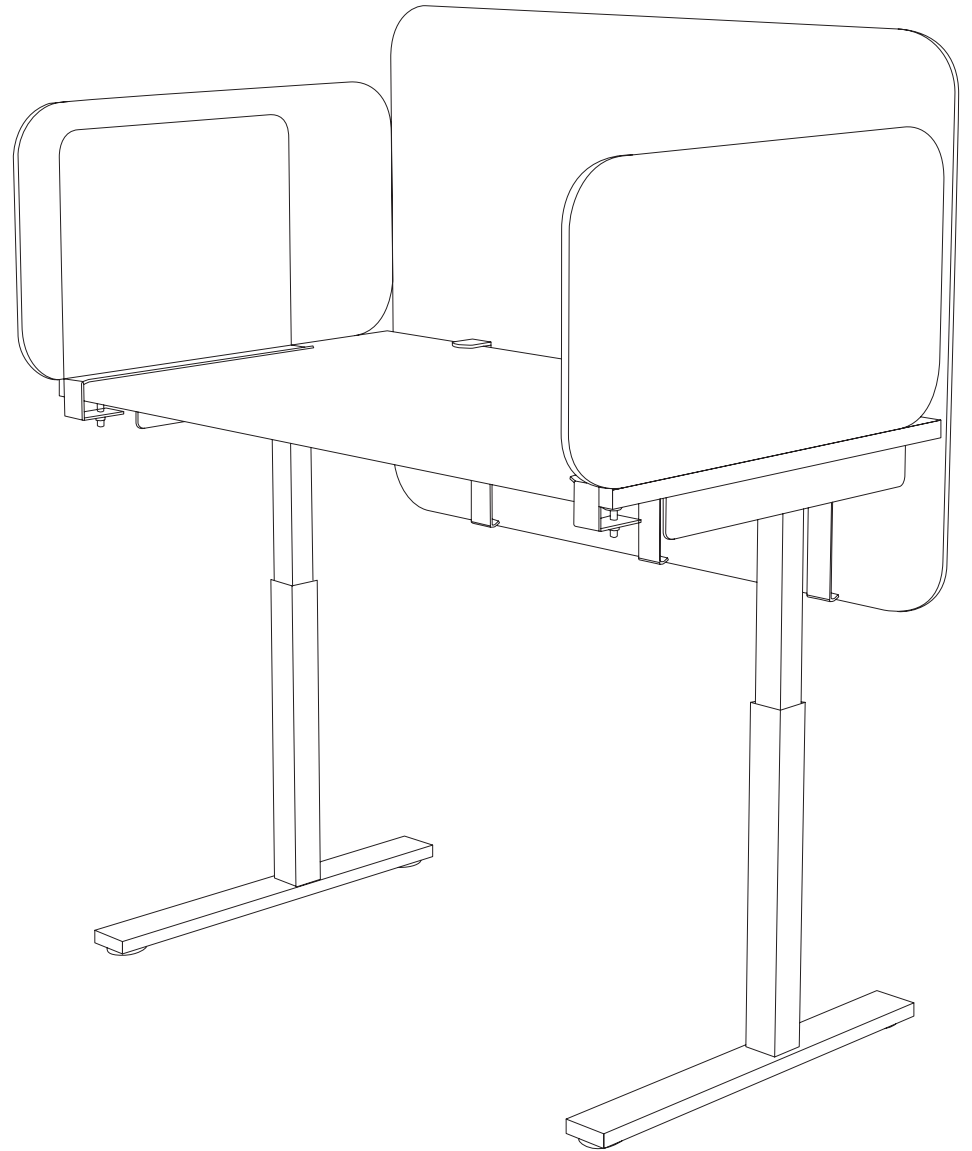
LOFTWALL

desk divider

Tools

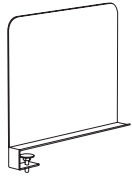


Adjustable Wrench  
(Not Included)

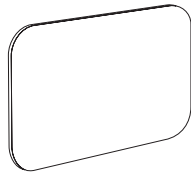


# Parallel installation

## Parts List



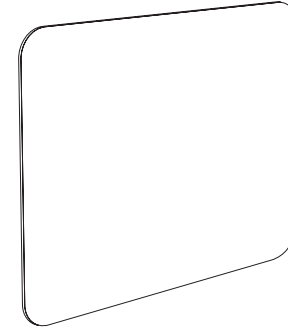
Side Bracket(s)



Side Panel(s)



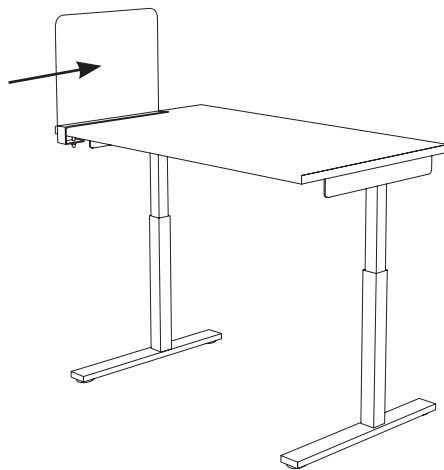
Modesty Brackets



Modesty Panel

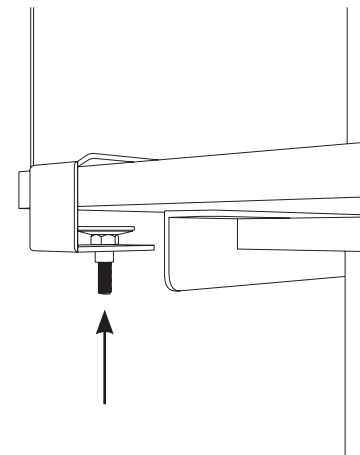
### Step 1

Attach the side bracket to the worksurface 0.5" from the edge of the table, this will allow the panel to sit comfortably on any surface. Make sure that the lip of the bracket is oriented inward.

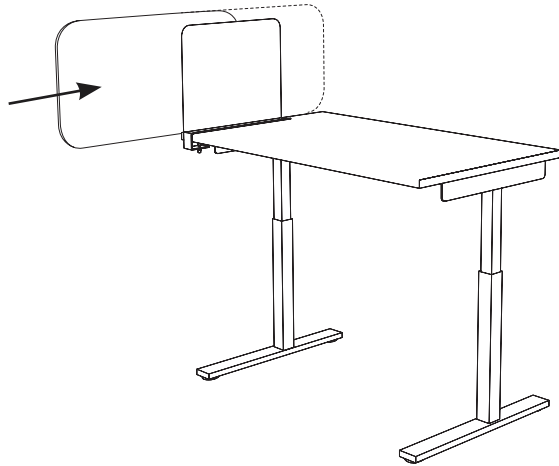


### Step 2

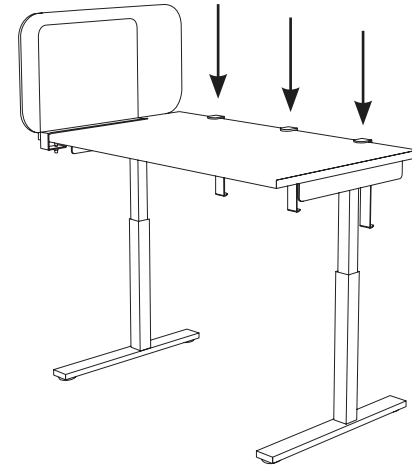
Using an adjustable wrench, tighten the bolt upwards to secure the bracket to the worksurface. If tightening the bolt from above spin it counter-clockwise, if tightening from below tighten it in a clockwise motion.



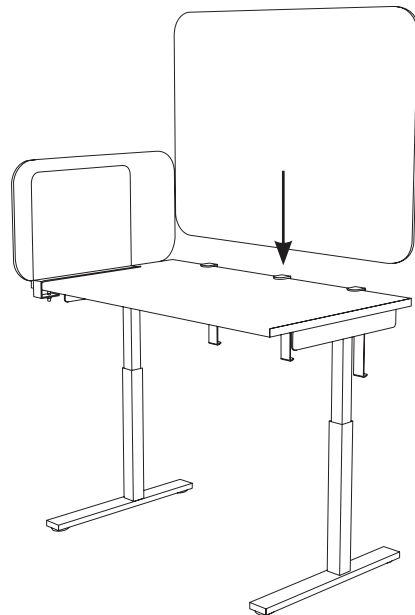
**Step 3** Place the magnetic side panel to the outside of the bracket. The panel can be pushed and pulled to fit the user's privacy needs.



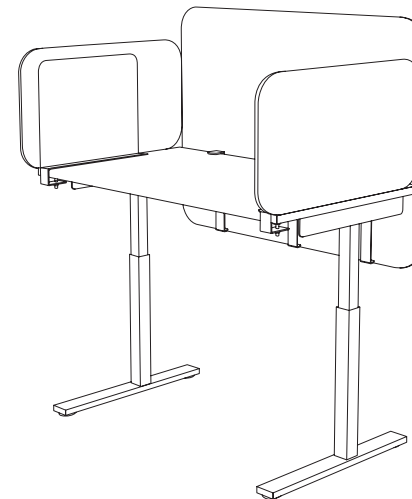
**Step 4** Using an adjustable wrench, attach all three modesty brackets to the worksurface. Use the same rules applied in Step 2 to fasten the brackets tightly to the worksurface.



**Step 5** Place the modesty panel to the lip of the modesty brackets.



**Step 6** If a second side panel and bracket is required for your worksurface, follow steps 1-3 to complete Parallel.



**LOFTWALL**